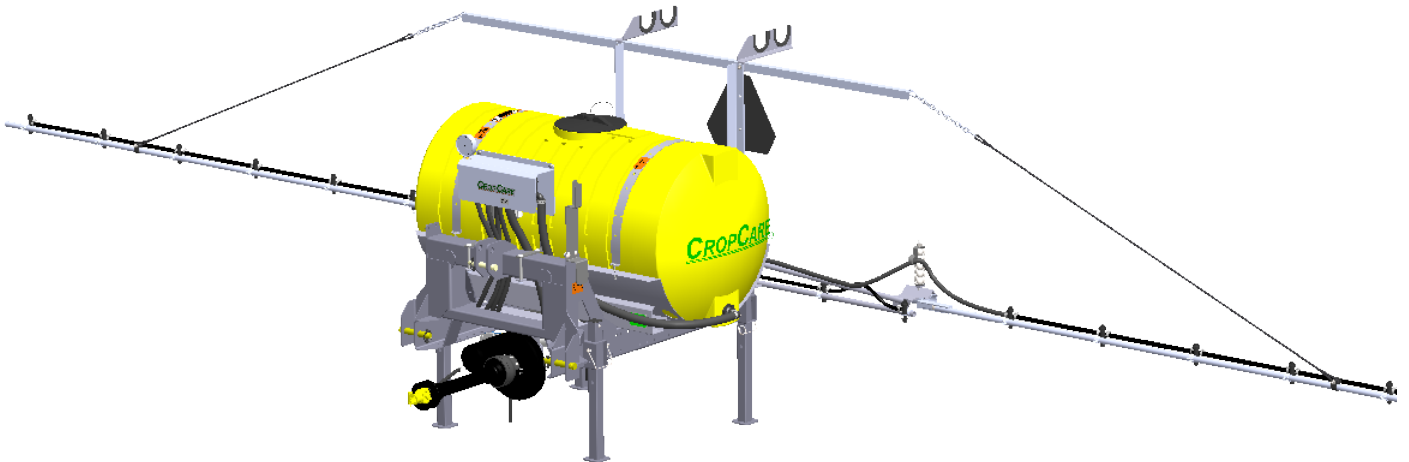


# AGX200

## AGX200-3 Standard Model

*200 Gallon 3PT Sprayer  
with 30' manual fold boom*



Manufactured by PBZ LLC  
A Paul B Zimmerman Inc. Company  
[www.CropCareEquipment.com](http://www.CropCareEquipment.com)



# Table Of Contents

## Standard Features

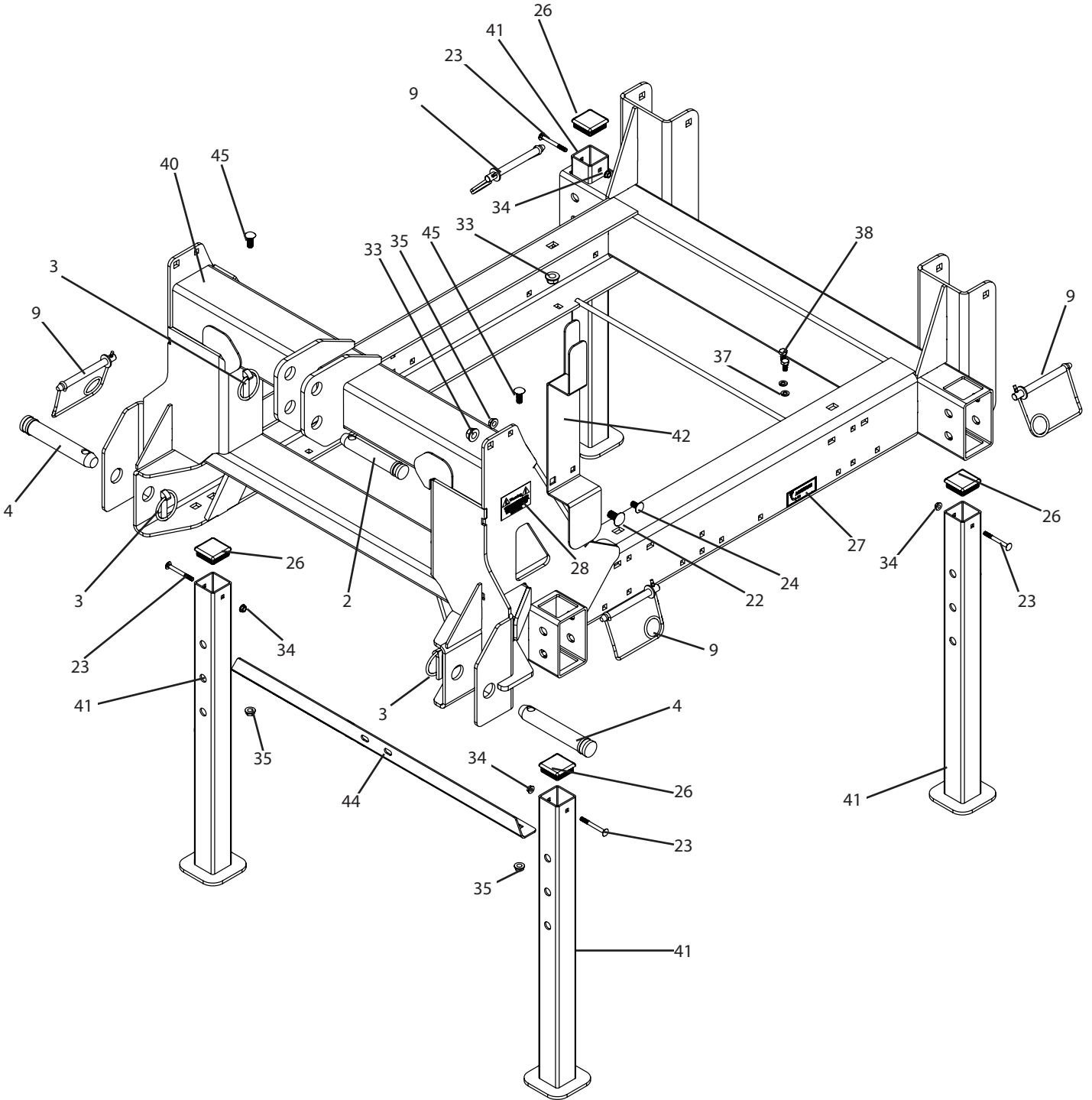
<b>Base Unit Subassembly (AGX200-3A)</b> .....	5-8
47323 / Tank .....	9
33500072A / Line Strainer .....	10
<b>Boom Subassembly (MX30A)</b> .....	13
MX30 / Boom .....	14-15
<b>Boom Plumbing Subassembly (MXP30-20)</b> .....	17
22251311500NYB / Nozzle Body, Elbow .....	18
22252312500NYB / Nozzle Body, Tee .....	19
<b>Control Subassembly (AGX200-3C)</b> .....	21-22
SC400-2500 / Control Kit .....	23
SC401 & SC402 / Console and Wire Harness .....	24-25
2502B-3 / Valves .....	26
<b>Pump Subassembly (AGX200-3B)</b> .....	29-32
9402C540S / Hypro Pump .....	33-34
PTOC-600-B / Ace Pump .....	35-37

## Optional Features

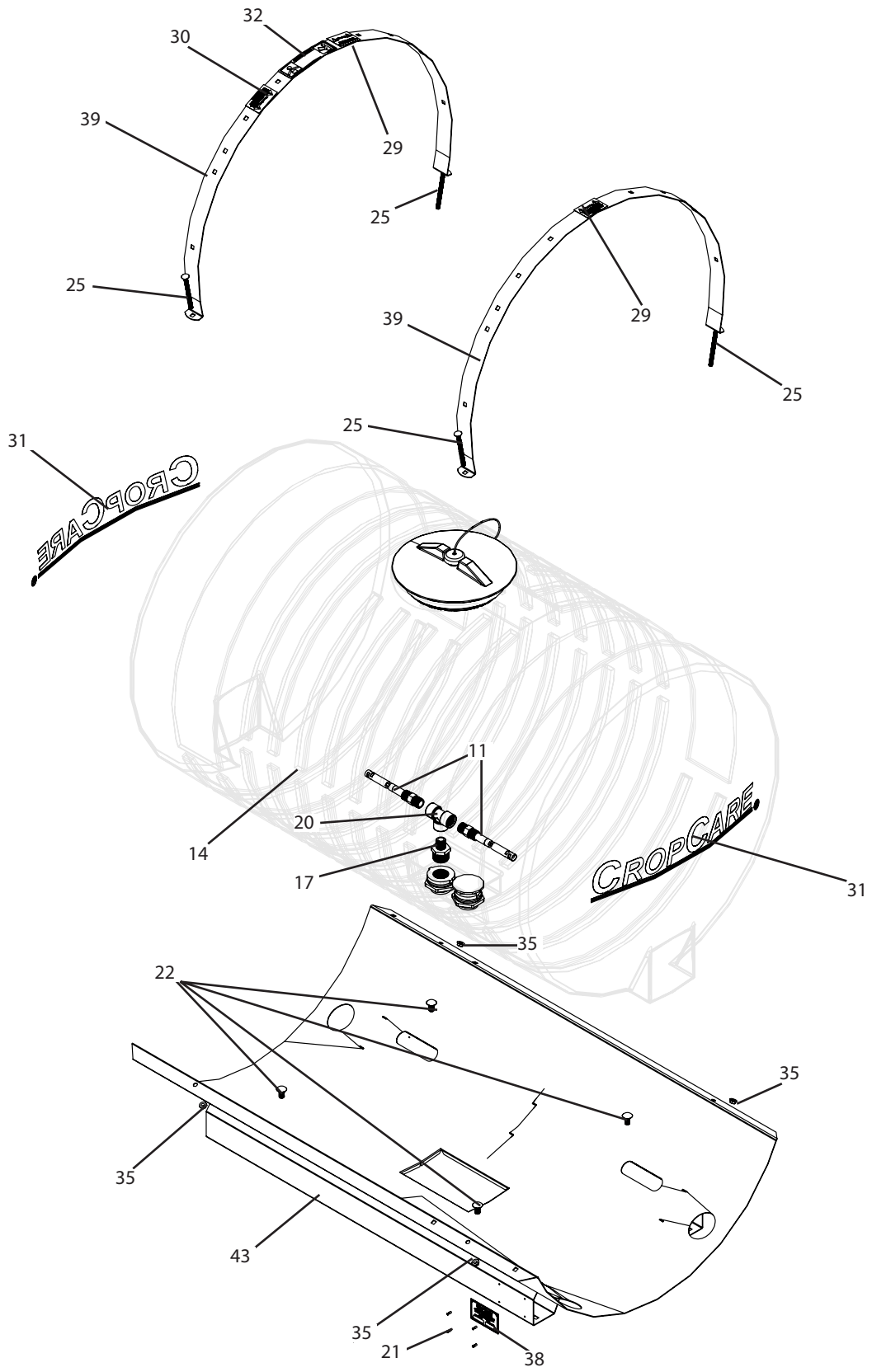
<b>Fresh water Safety Tank Accessory (A116K)</b> .....	39
<b>Quick Fill Accessory (A125K)</b> .....	41
<b>Pistol Grip Handgun Accessory (A126K)</b> .....	43
5062410F / Spray Handgun .....	44-45
<b>Boom Inline Filters Accessory (A127K)</b> .....	47
AA12212PP50 / Line Strainer .....	48
<b>Foam Marker Accessory (F1500-3PT-BK)</b> .....	51
F1500 / Foam Marker System .....	52-55
CM40 / Compressor .....	56
GZ35-12 / Compressor .....	57
F1525 / Foam Discharge Tube .....	58
F1529 / Foam Mixing Chamber .....	59



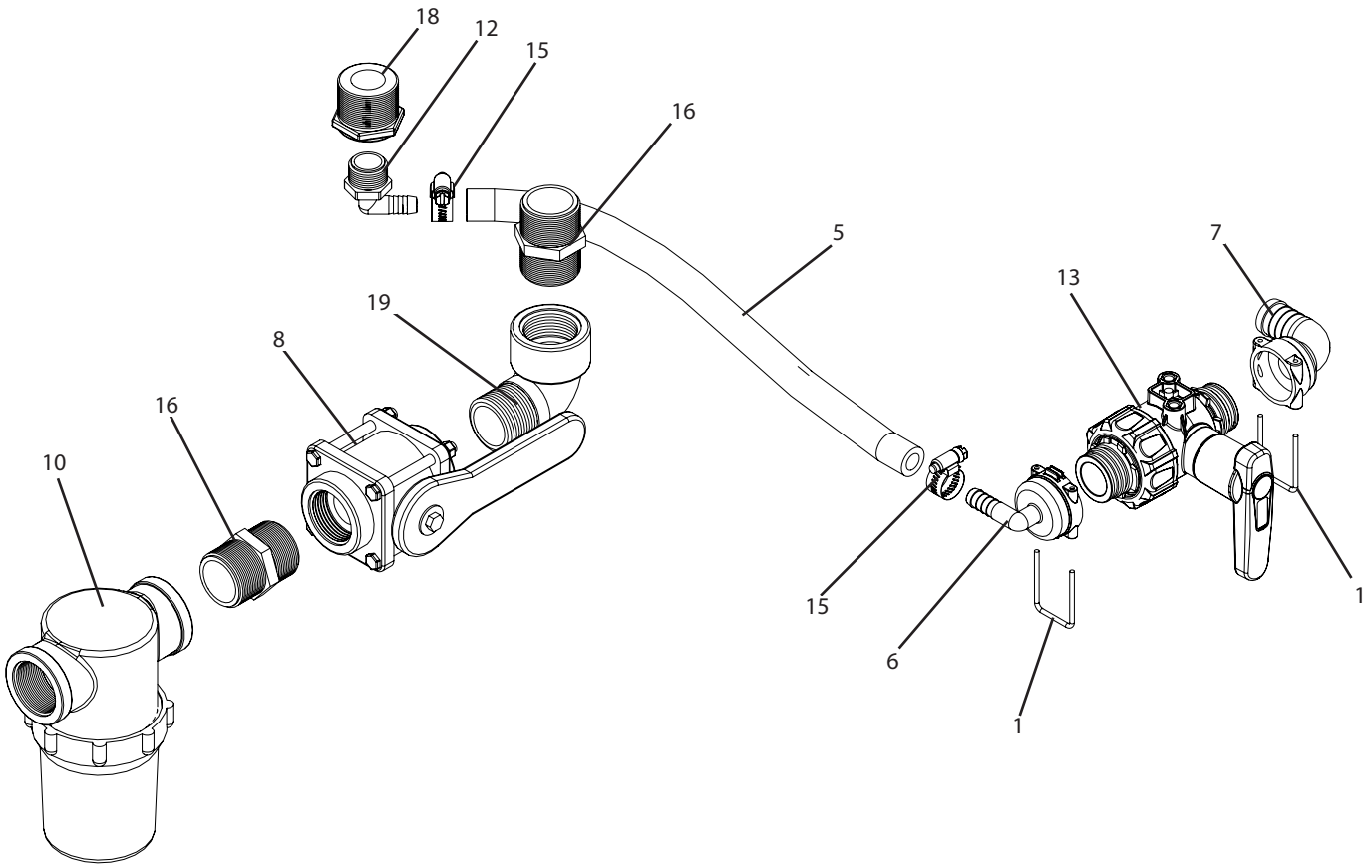
# AGX200-3A Base Unit Subassembly



# AGX200-3A Base Unit Subassembly



# AGX200-3A Base Unit Subassembly

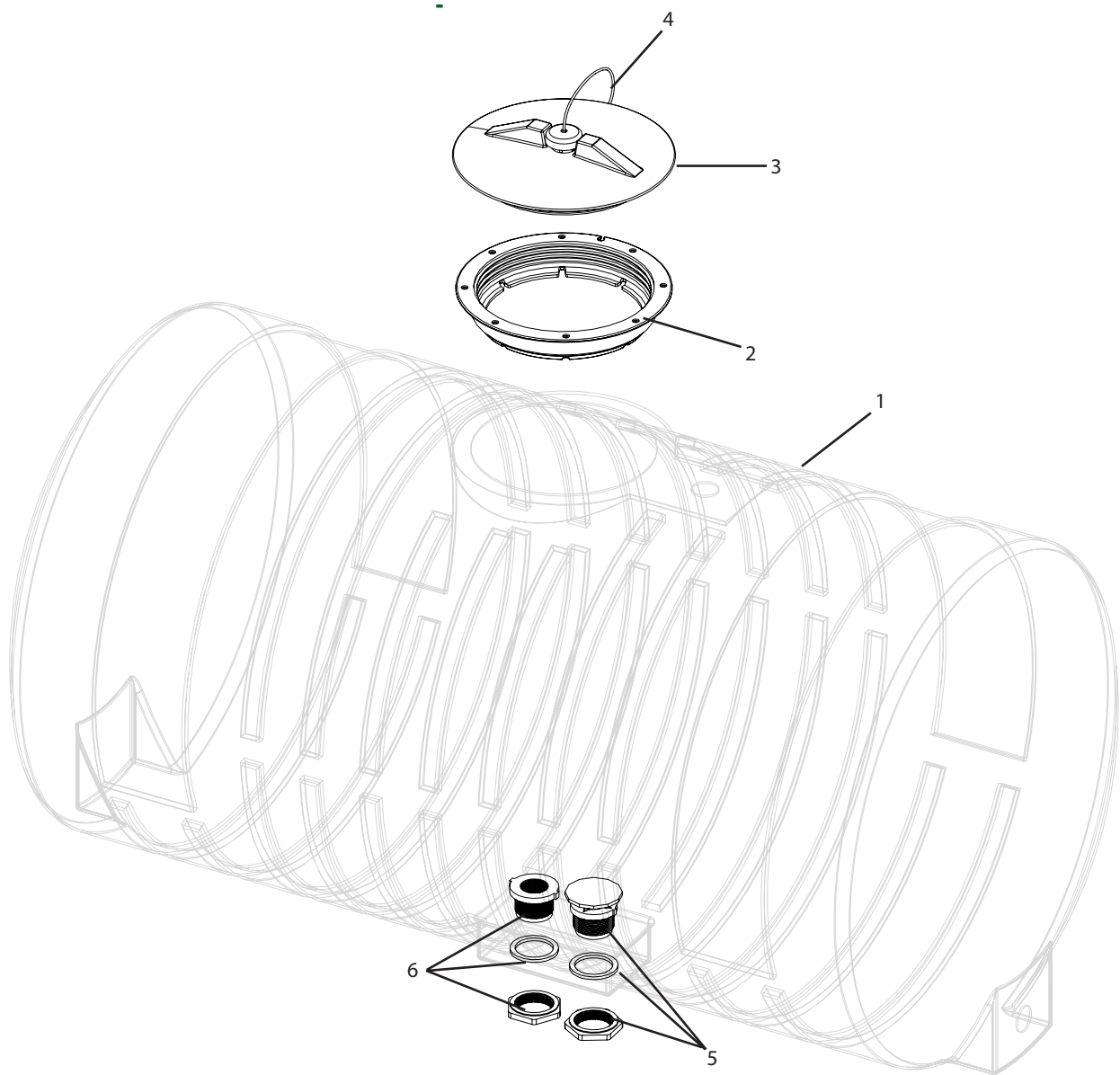


# AGX200-3A Base Unit Subassembly

Ref#	Qty.	Part Number	Description
1	2	010004	Connector, T4 Fork
2	1	03011	Pin, Top Link Cat 2 (4-5/16" Usable)
3	3	03027	Pin, Linch HD 7/16" Black
4	2	07237	Pin, Lift Arm Cat 2 Forged 7" w/5-3/8" Usable
5	2 FT	1008	Hose, EPDM Rubber 1/2" 300 PSI
6	1	1190413	Elbow, T4 Female QC x 1/2" 90° HB
7	1	1190425	Elbow, T4 Female QC x 1" 90° HB
8	1	125STD	Valve, Ball Bolted 1-1/4" Std Port
9	4	15195	Pin, Snap-Lock 1/2" x 4 1/4"
10	1	33500072A *	Strainer, Line Poly 1-1/4" FPT 50 Mesh Screen EPDM Gasket
11	2	33710019	Agitator, Jet
12	1	3EL3412	Adapter, Hose Ell 3/4" MPT x 1/2" HB
13	1	45514404A	Valve, Ball 2-Way T4M w/M8 Mounting Extended Handle
14	1	47323 *	Tank, 200 Gallon w/ 2-1/2" Sump Yellow
15	2	6806052	Hose Clamp, 1/2" - 29/32" SS
16	2	8M114	Nipple, 1-1-4" MPT x Close Sch 80 Poly
17	1	8M11434	Nipple, Reducer 1-1/4" MPT x 3/4" MPT Sch 80 Poly
18	1	8RB11434	Bushing, Reducer 1-1/4" MPT x 3/4" FPT Sch 80 Poly
19	1	8SE114	Elbow, Street 90° 1-1/4" NPT Sch 80 Poly
20	1	8TT34	Tee, Poly 3/4" FPT Sch 80
21	4	BTT44	Rivet, Pop 1/8" Dia. x .188" x .250" Grip SS
22	5	CB12*1G5	Bolt, Carriage 1/2-13 x 1" Gr 5
23	4	CB14*212G5	Bolt, Carriage 1/4-20 x 2-1/2" Gr 5
24	1	CB38*34G5	Bolt, Carriage 3/8-16 x 3/4" Gr 5
25	4	CB38*234G5	Bolt, Carriage 3/8-16 x 2-3/4" Gr 5
26	4	CC5515	Plug, Poly Square 2" x 10-14 Ga Black
27	1	DE104	Decal, Agitation Valve
28	2	DE136	Decal, Disconnecting Sprayer Warning
29	2	DE141	Decal, Warning No Climbing On Sprayer
30	1	DE39	Decal, "Warning Read Owner's Manual
31	2	DE57	Decal, CropCare Logo 4 7/8" x 24"
32	1	DEMT3980	Decal, "Warning Avoid Injury Follow Labels"
33	5	FN12	Nut, Flange 1/2-13
34	4	FN14	Nut, Flange 1/4-20
35	6	FN38	Nut, Flange 3/8-16
36	2	H8*16M	Bolt, Hex 8mm x 16mm 1.25 Pitch 10.9 Zinc
37	2	LW516	Washer, Lock 5/16"
38	1	SP500	Plate, Serial Number, CropCare
39	2	SS32	Tank strap, 200 gallon, gray
40	1	T1301	200-300 Gallon 3PT, Frame
41	4	T1302	200-300 Gallon 3PT, Leg
42	1	T1303	200-300 Gallon 3PT, Hose Loop Holder
43	1	TS3260P	Tank saddle, 200 gallon, gray
44	1	T465	Rear Hose Routing Mount
45	2	CB38*1G5	Bolt, Carriage 3/8-16 x 1" Gr 5

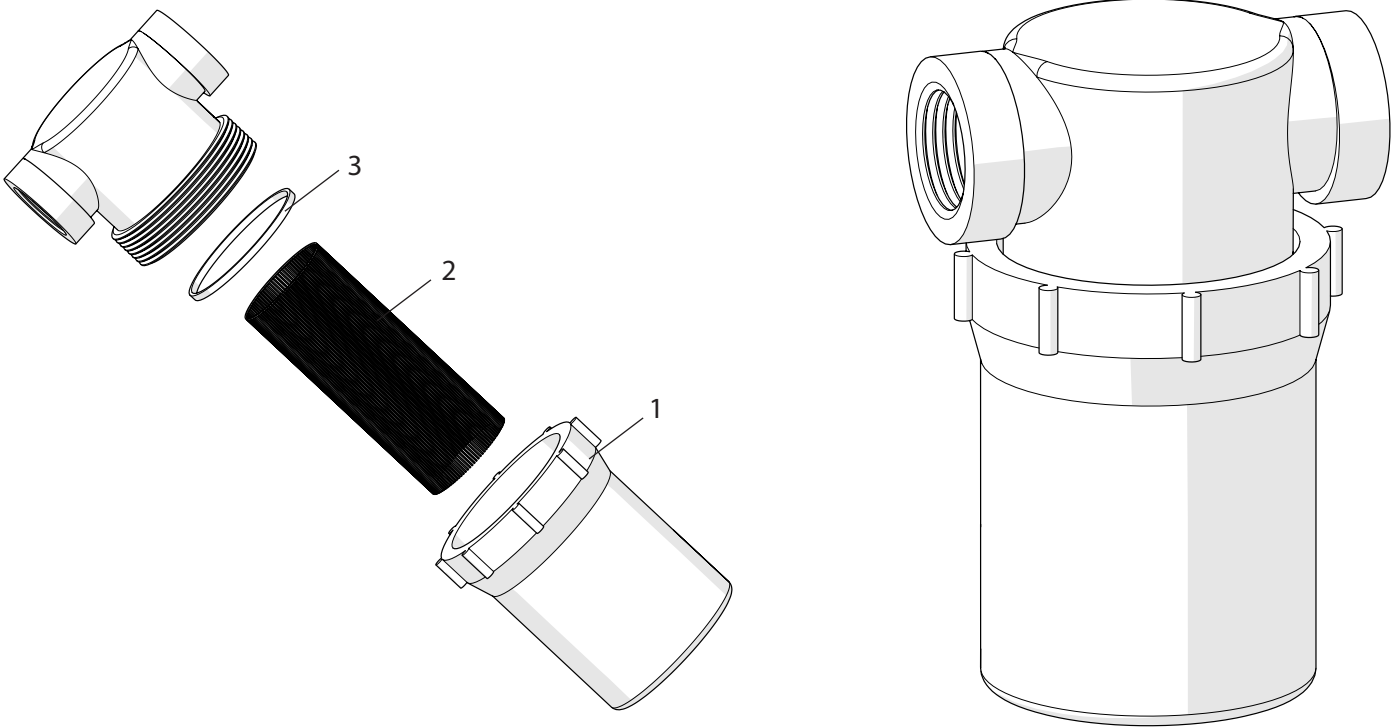
\* See support page for component parts breakdowns.

# 47323 Tank



Ref#	Qty.	Part Number	Description
1	1	47323	Tank, 200 Gallon w/ 2" Sump Yellow
2	1	67400	Well, 10" Threaded
3	1	67399	Lid, Tank 10"
4	1	67076	Tie down strap for tank lid
5	1	63065	Fitting, Bulkhead Anti-Vortex 1-1/4" FPT (Requires 2-1/4" Hole)
6	1	60403	Fitting, Bulkhead 1-1/4" FPT Dbl Tap (Requires 2-1/4" Hole)

# 33500072A Line Strainer

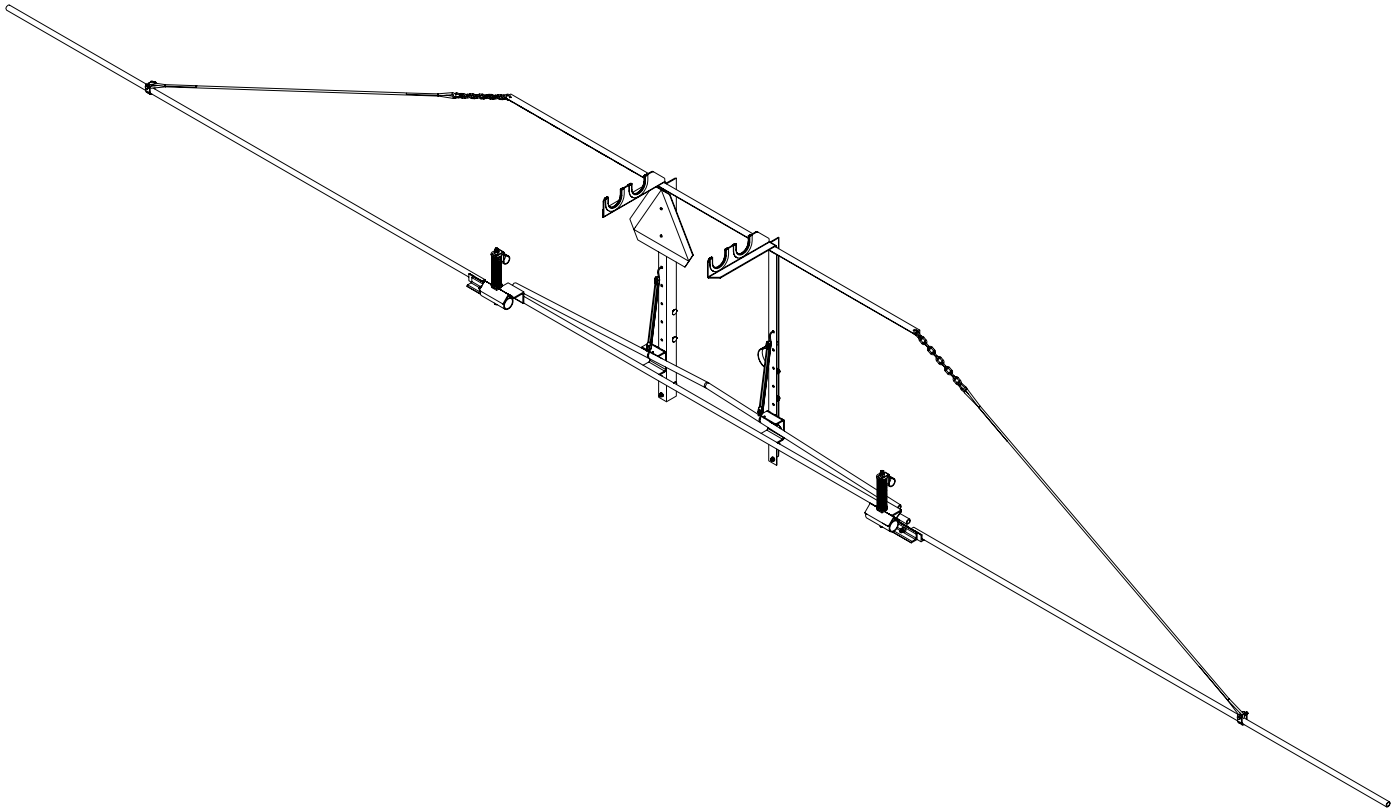


Ref #	Qty.	Part Number	Description
1	1	33510043	Strainer Bowl Hypro
2	1	38000044	Strainer, Screen 50 Mesh
		38000045	Strainer Screen 80 mesh Hypro
3	1	17000092	Gasket, Strainer 3350 1" - 1-1/2" EPDM





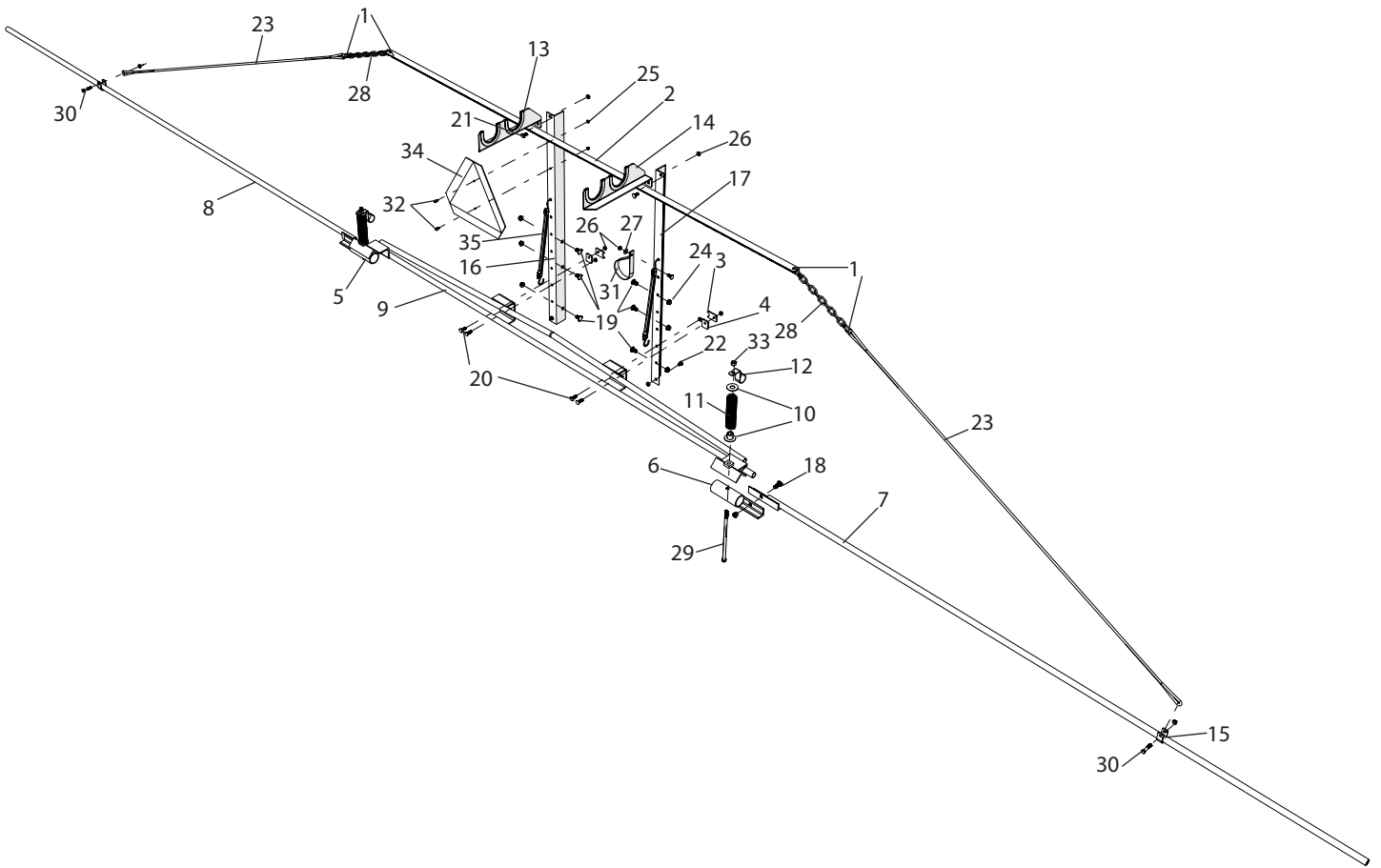
# MX30A Boom Subassembly



Ref#	Qty.	Part Number	Description
1	1	MX30	Boom, 30' Manual Fold

\* See support page for component breakdown.

# MX30 Boom

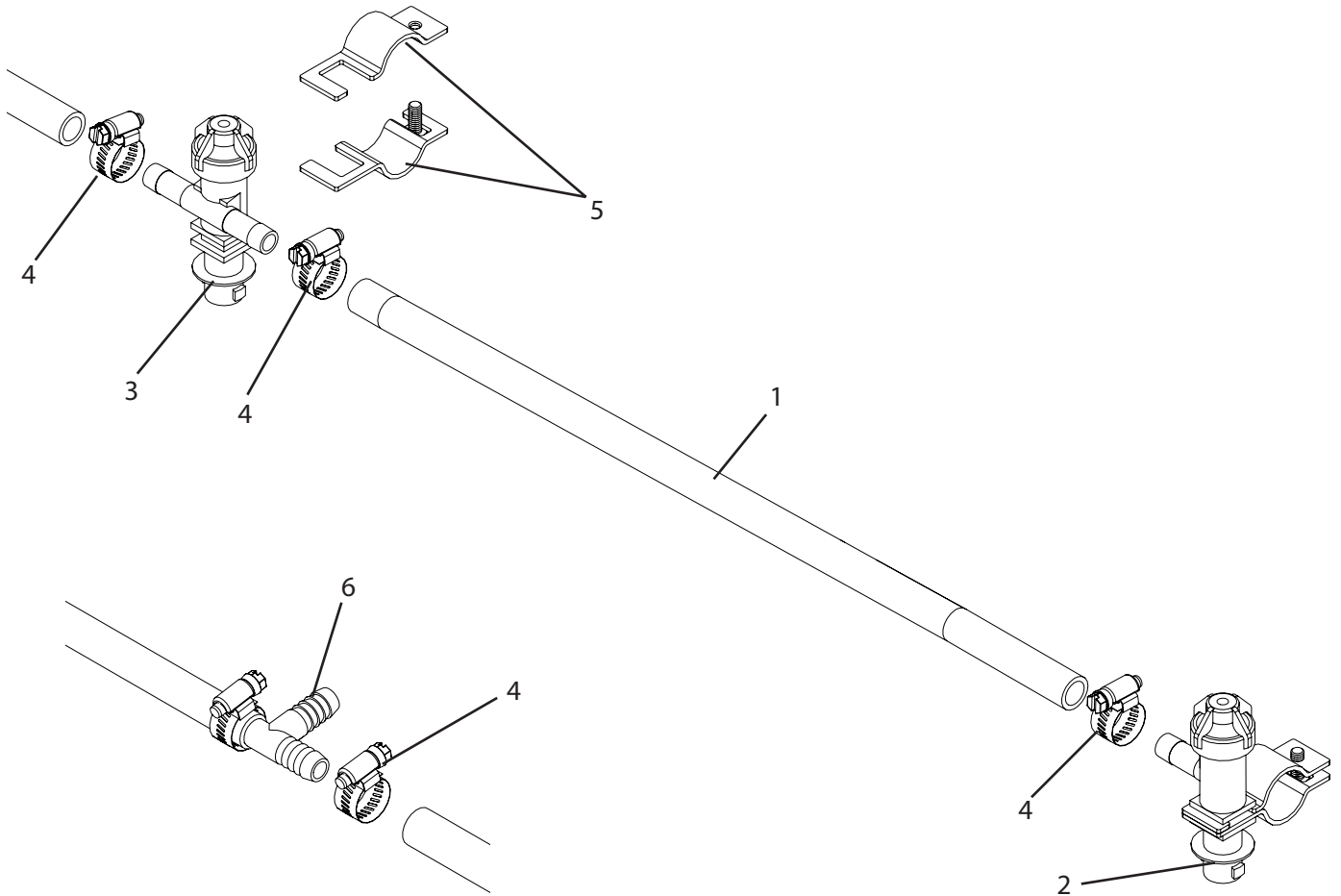


# MX30 Boom

Ref #	Qty.	Part Number	Description
1	4	245SS14	Snap, Spring Hook 1/4" x 2-3/8" SS
2	1	B101	Top boom support, BF30M
3	2	B103	Clip, Boom Mounting
4	2	B104	Spacer, Boom Mounting Clip
5	1	B105L	Hinge, Boom Left
6	1	B105R	Hinge, Boom Right
7	1	B106L	Boom wing, left, BF30M
8	1	B106R	Boom wing, right, BF30M
9	4	B107	Boom center section, BF30M
10	2	B108	Cap, Spring Black
11	2	B109	Spring, Compression Blk 1-3/4" x 8" x 1/4"
12	1	B110	Hose Holder, Blk
13	1	B111LT	Boom Rest, Left With Trim
14	1	B111RT	Boom Rest, Right With Trim
15	2	B112	Clip, Rope Blk
16	1	BF4013L	Boom mounting angle, left
17	1	BF4013R	Boom mounting angle, right
18	2	CB12*112G5	Bolt, Carriage 1/2-13 x 1-1/2" Gr 5
19	6	CB12*1G5	Bolt, Carriage 1/2-13 x 1" Gr 5
20	4	CB38*114G5	Bolt, Carriage 3/8-16 x 1-1/4" Gr 5
21	3	CB38*1G5	Bolt, Carriage 3/8-16 x 1" Gr 5
22	2	CB38*34G5	Bolt, Carriage 3/8-16 x 3/4" Gr 5
23	2	F348A	Rope, Boom 30ft
24	6	FN12	Nut, Flange 1/2-13
25	2	FN14	Nut, Flange 1/4-20
26	11	FN38	Nut, Flange 3/8-16
27	1	FW38	Washer, Flat 3/8"
28	2.1'	GC316	Chain, Coil Galv 3/16" Proof Gr 30
29	2	H2C12*12	Bolt, Hex 1/2-13 x 12" Gr 2
30	2	H5C38*2	Bolt, Hex 3/8-16 x 2" Gr 5
31	1	HS1000	Hose Holder, Nylon Strap
32	2	MR14*58	Screw, Machine Rd Hd 1/4-20 x 5/8" Phillips Drive
33	4	NNC12	Nut, Lock Nylon 1/2-13
34	1	SMVM	Sign, SMV Metal 14" x 16"
35	2	TS15	Tarp Strap, 15" Rubber



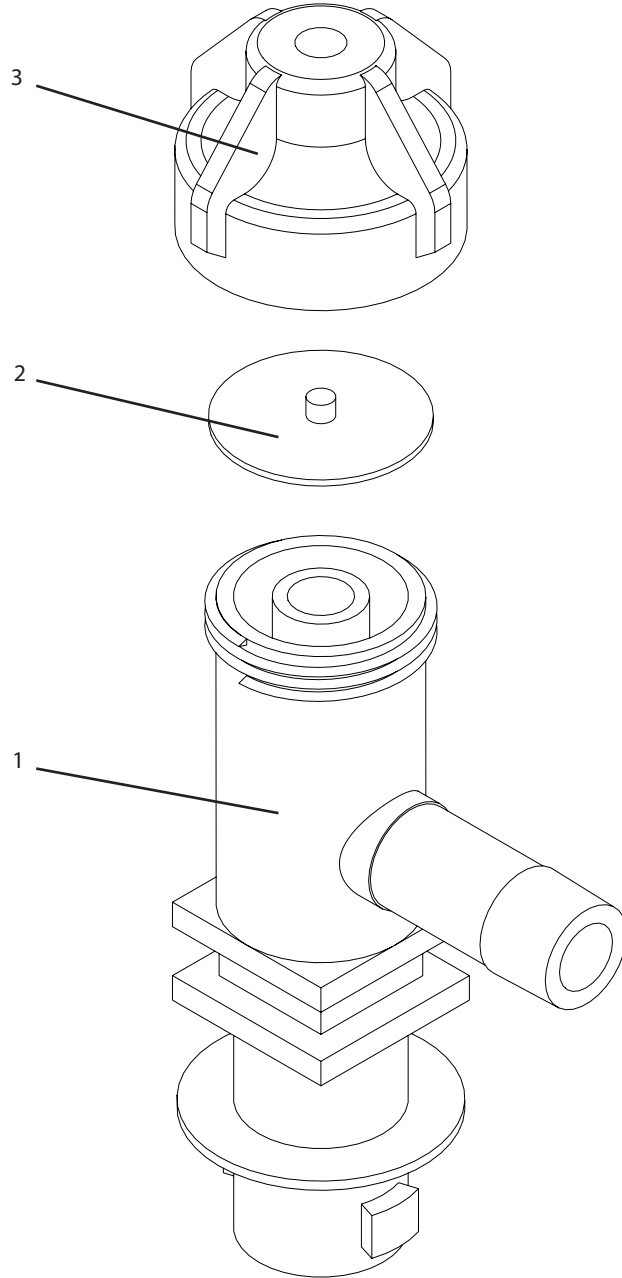
# MXP30-20 Boom Plumbing Subassembly



Ref#	Qty.	Part Number	Description
1	25	1008	Hose, EPDM Rubber 1/2" 300 PSI
2	6	22251311500NYB *	Body, Nozzle Elbow 1/2" QJ300
3	15	22252312500NYB *	Body, Nozzle Tee 1/2" QJ300
4	33	6806052	Hose Clamp, 1/2" - 29/32" SS
5	18	QJ11134	Clamp, Nozzle Body 3/4" Pipe
6	1	T12	Tee, 1/2" Hose Barbs Nylon

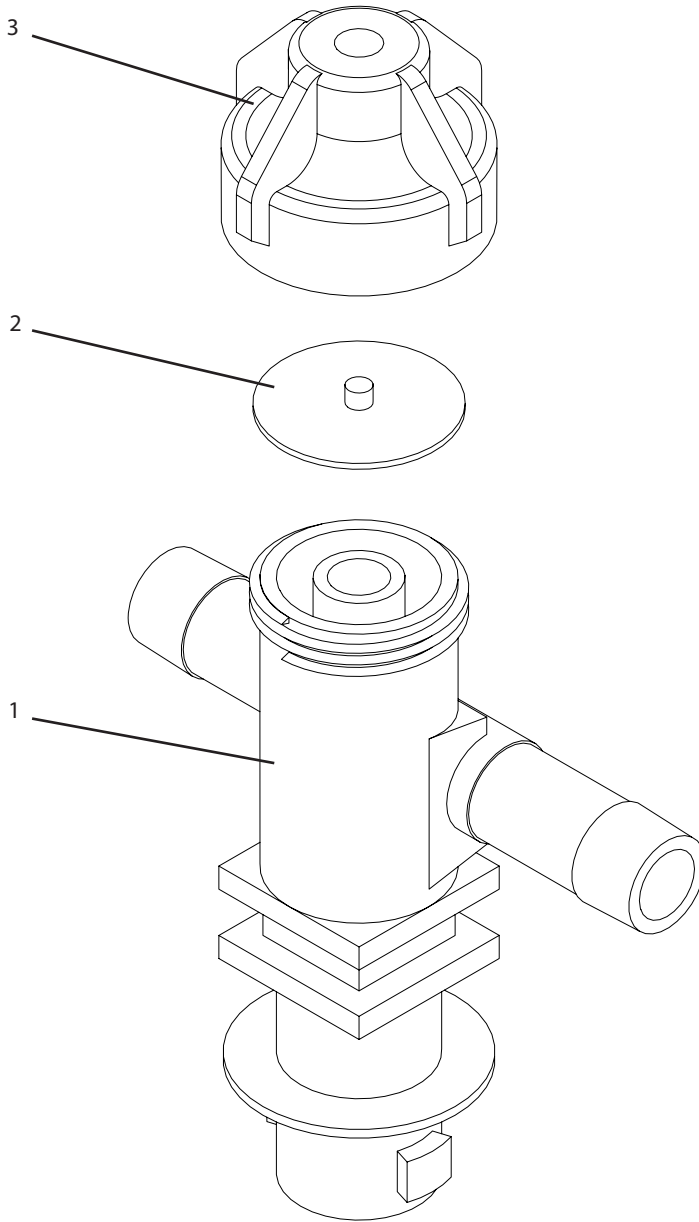
\* See support page for component parts breakdowns.

# 22251311500NYB Nozzle Body, Elbow



Ref#	Qty.	Part Number	Description
1	1	CP22237NYB	Single hose shank body, 1/2"
2	1	CP21953EPR	Rubber diaphragm
3	1	2195010NYB	Diaphragm cap, 10 psi

# 22252312500NYB Nozzle Body, Tee



Ref#	Qty.	Part Number	Description
1	1	CP22240NYB	Double hose shank body, 1/2"
2	1	CP21953EPR	Rubber diaphragm
3	1	2195010NYB	Diaphragm cap, 10 psi



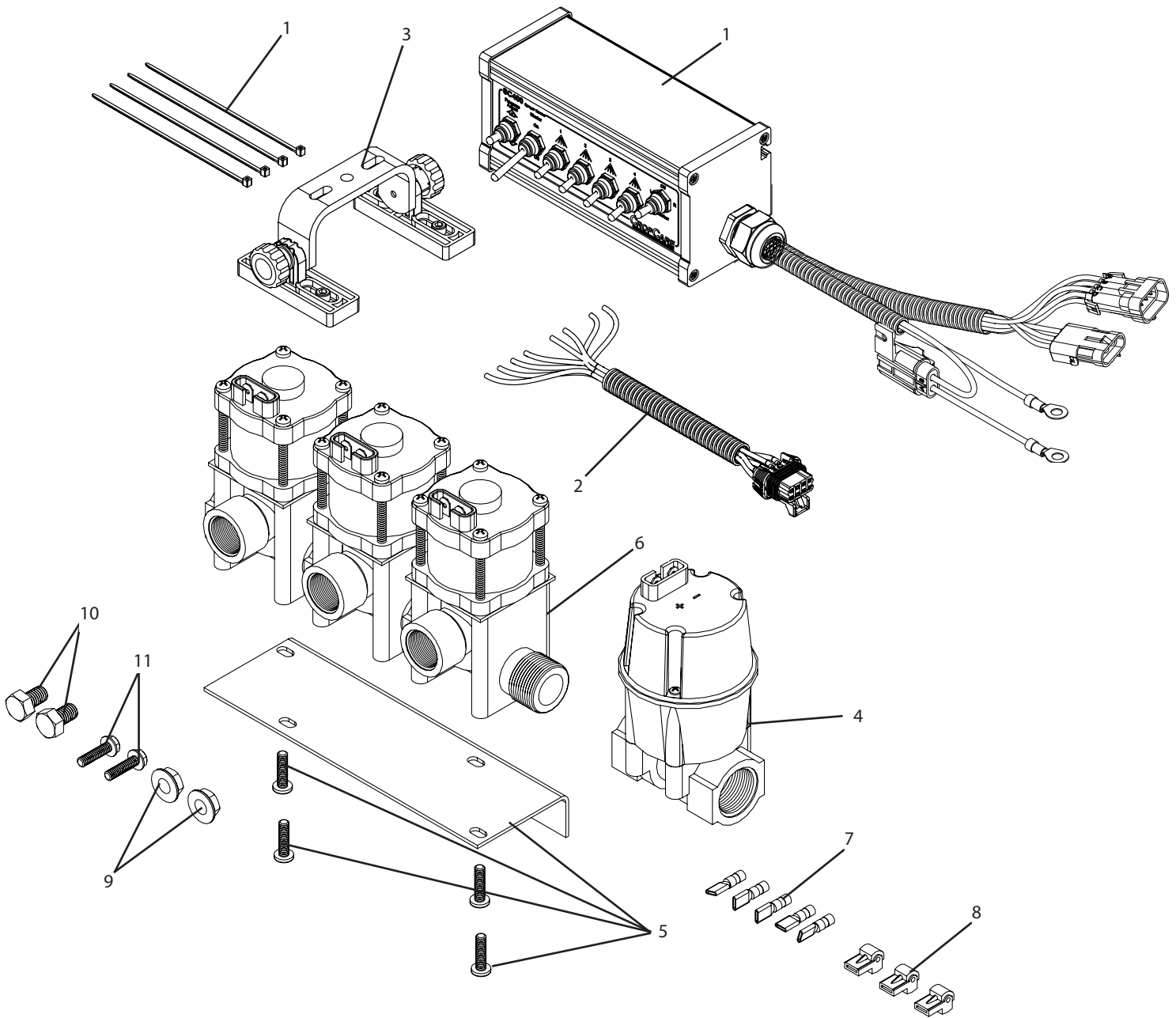


# AGX200-3C Control Subassembly

Ref#	Qty.	Part Number	Description
1	13 FT	1008	Hose, EPDM Rubber 1/2" 300 PSI
2	15 FT	1008	Hose, EPDM Rubber 1/2" 300 PSI
3	4.5 FT	1008	Hose, EPDM Rubber 1/2" 300 PSI
4	9 FT	1008	Hose, EPDM Rubber 1/2" 300 PSI
5	4.5 FT	1016	Hose, EPDM Rubber 1" 300 PSI
6	1	2352034PP	Valve, Throttling 3/4" NPT Poly 150 PSI
7	1	3A3412	Fitting, Hose 3/4" MPT x 1/2" HB
8	1	3EL100	Adapter, Hose Ell 1" MPT x 1" HB
9	3	3EL1212	Adapter, Hose 90° 1/2" MPT x 1/2" HB
10	2	3EL34100	Adapter, Hose 90° 3/4" MPT x 1" HB
11	1	3F34	Plug, 3/4" MP Poly
12	1 FT	5156N	Tubing, Nylon 1/4" OD Black
13	1	60427	Fitting, Bulkhead 1" FPT Dbl Tap (Requires 2-1/4" Hole)
14	8	6806052	Hose Clamp, 1/2" - 29/32" SS
15	3	6816052	Hose Clamp, 11/16" - 1-1/2" SS
16	1	8M34	Nipple, 3/4" MPT x Close Sch 80 Poly
17	1	8RB3414	Bushing, Reducer 3/4" MPT x 1/4" FPT Sch 80 Poly
18	2	A4ME4	Adapter, TrueSeal Fitting 90° 1/4" Tube
19	1	BAAF	Isolator, Pressure Gauge 1/4" FPT
20	4	CB12*5G5	Bolt, Carriage 1/2-13 x 5" Gr 5
21	2	CB38*1G5	Bolt, Carriage 3/8-16 x 1" Gr 5
22	2	CB38*34G5	Bolt, Carriage 3/8-16 x 3/4" Gr 5
23	1	DE33	Decal, Agitator Valve
24	1	DE46	Decal, CropCare Logo 1.9" x 8.8"
25	4	FN12	Nut, Flange 1/2-13
26	4	FN38	Nut, Flange 3/8-16
27	1	FW12S	Washer, Flat, 1/2" SS
28	1	GG1604	Gauge, 4" Liquid Filled 160 PSI
29	1	PMB5	Plastic manifold body, 3/4" FPT x 5
30	1	SC400-2500 *	Kit, CropCare Control Kit 4 Boom Switch
31	2	T1313	200-300 Gallon 3PT, SC400 Ctrl Mount
32	2	T337	Rinse Tank Mount Bracket, 3PT200-305
33	1	T550	Solenoid valve mounting plate
34	1	T550A	Solenoid valve cover

\* See support page for component parts breakdowns.

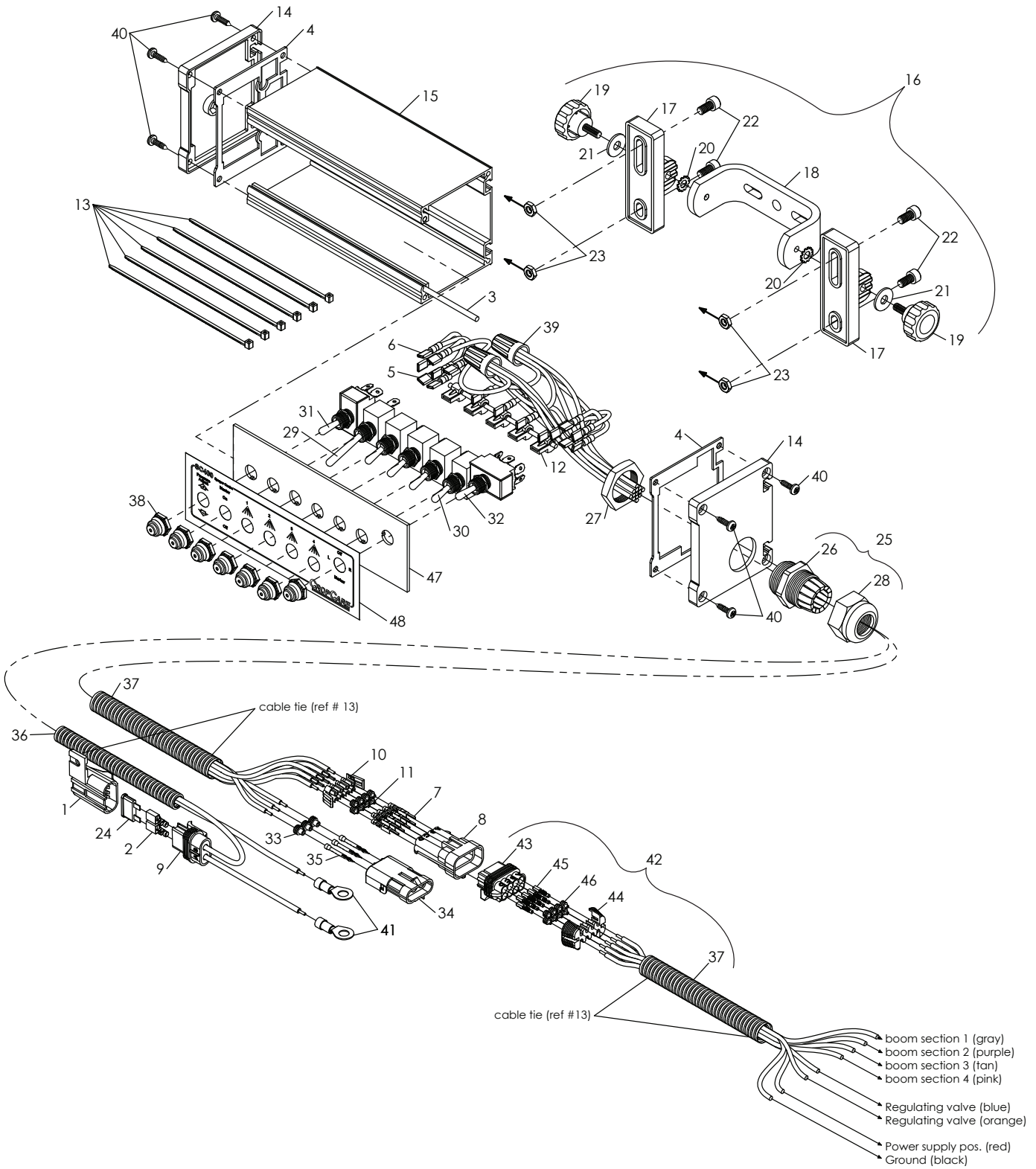
# SC400-2500 Control Kit



Ref#	Qty.	Part Number	Description
1	1	SC401 *	Sprayer Control Box Only
2	1	SC402 *	Harness, Sprayer End 12 Ft
3	1	905046.01	Kit, Swivel Mount SC400 Console
4	1	1560A	Valve, Regulating Electric 3/4" FPT
5	1	2151*	Bracket, Solenoid Valve Manifold Mounting (3) SS
6	1	2502B-3	Valve, Solenoid Bank (3) 175 PSI 8 GPM
7	5	506567	Terminal, Wire Spade 1/4" Female 16-14 Ga Insulated
8	3	DC908075	Connector, T-tap 0.25" Female Self Stripping
9	2	FN516	Nut, Flange 5/16-18
10	2	H5C516*12	Bolt, Hex 5/16-18 x 1/2" Gr 5
11	2	HT10*34	Screw, Hex Washer Tap #10 x 3/4"

\*See support page for component breakdown.

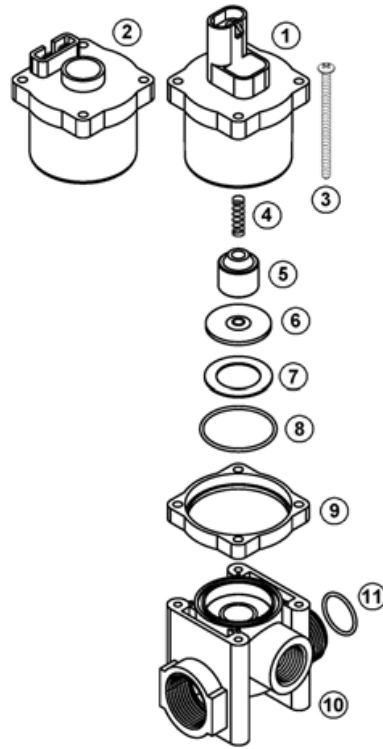
# SC401 & SC402 Console and Wire Harness



# SC401 & SC402 Console and Wire Harness

Ref #	Qty.	Part Number	Description
1	1	12033731-B	Metripack fuse cover
2	2	12033997-L	Metripack female terminal
3	2	250056	Panel o-ring
4	2	250069	End cap gasket
5	12	506567	Term. disconnect, female
6	4	562890	Term. disconnect, female
7	8	12045773	Metripack female terminal
8	1	12047931	Metripack male plug, 8 pin 150 series
9	1	12085030-B	Metripack fuse housing
10	1	15324525-B	Metripack TPA lock, 8 pin male
11	8	15324973-B	Metripack cable seal
12	5	1A074	Self-stripping t-tap, female, .25"
13	6	618UV	cable tie, 6" long
14	2	760059-01	Extrusion end cap, plastic
15	1	760134-187	Aluminum extrusion, 187mm long
16	1	905046-01	SC400 swivel mount (Includes ref #'s: 17-23)
17	2	760074.01	Mounting bracket
18	1	760074.02	Metal bracket
19	2	100065	Adjustment knob
20	2	EW14	external tooth lock washer, 1/4"
21	2	FW14	flat washer, 1/4"
22	4	SCC6*12M	Socket head cap screw, 6 x 12mm, 1.0 pitch
23	4	JNC6M	Jam nut, 6mm
24	1	ATC-30	ATC fuse, 30amp
25	1	DC2656	Strain relief, .45" - .70" with nut (Includes ref #'s: 26-28)
26	1	N/A	Strain relief body
27	1	NP-21-BK	Plastic nut
28	1	N/A	Locking nut
29	1	DC7200030	toggle switch, on-off, SPST
30	4	DC7200102	toggle switch, on-off, SPST
31	1	DC7300135	Pressure adjusting switch
32	1	DC7300131	Foam marker switch
33	3	DC75004	cavity seal 16-14 gauge
34	1	DC75020	Male plug, 3-prong
35	3	DC75034	male terminal, 16-14 gauge
36	N/A	DC784	Flex-guard loom, 3/8"
37	N/A	DC786	Flex-guard loom, 1/2"
38	7	DC7900003	Toggle switch half boot, black
39	2	E10307	Wire nut set screw 30-222 large
40	8	PT8*58	Phillips pan head tapping screw, #8 x 5/8"
41	2	RV10516	solderless terminal, 12-10ga, 5/16" eye
42	1	SC402	Sprayer end harness (Includes ref #'s: 37, 43-46)
43	1	12047937	Metripack female plug, 8 pin 150ser
44	1	12066304	Metripack TPA lock, 8 pin female
45	8	12048074	Metripack female terminal
46	8	15324973-B	Metripack cable seal
47	1	SC403	Switch panel, aluminum
48	1	DE56	Decal, SC400 face plate

# 2502B-3 Valves



Ref #	Qty.	Part Number	Description
1	1	N/A	Coil weather pack terminals
2	1	N/A	Coil, 1/4" spade terminals
3	4	N/A	8 x 2 1/2 Screw
4	1	2315 +	Spring
5	1	N/A	Plunger
6	1	2307 +	Disc Valve, Viton
7	1	2363 +	Washer
8	1	2314 +	"O" ring, 028 Viton
9	1	N/A	Adaptor ring
10	1	N/A	Valve body for 2500B valve
11	1	2166	"O" ring, 018

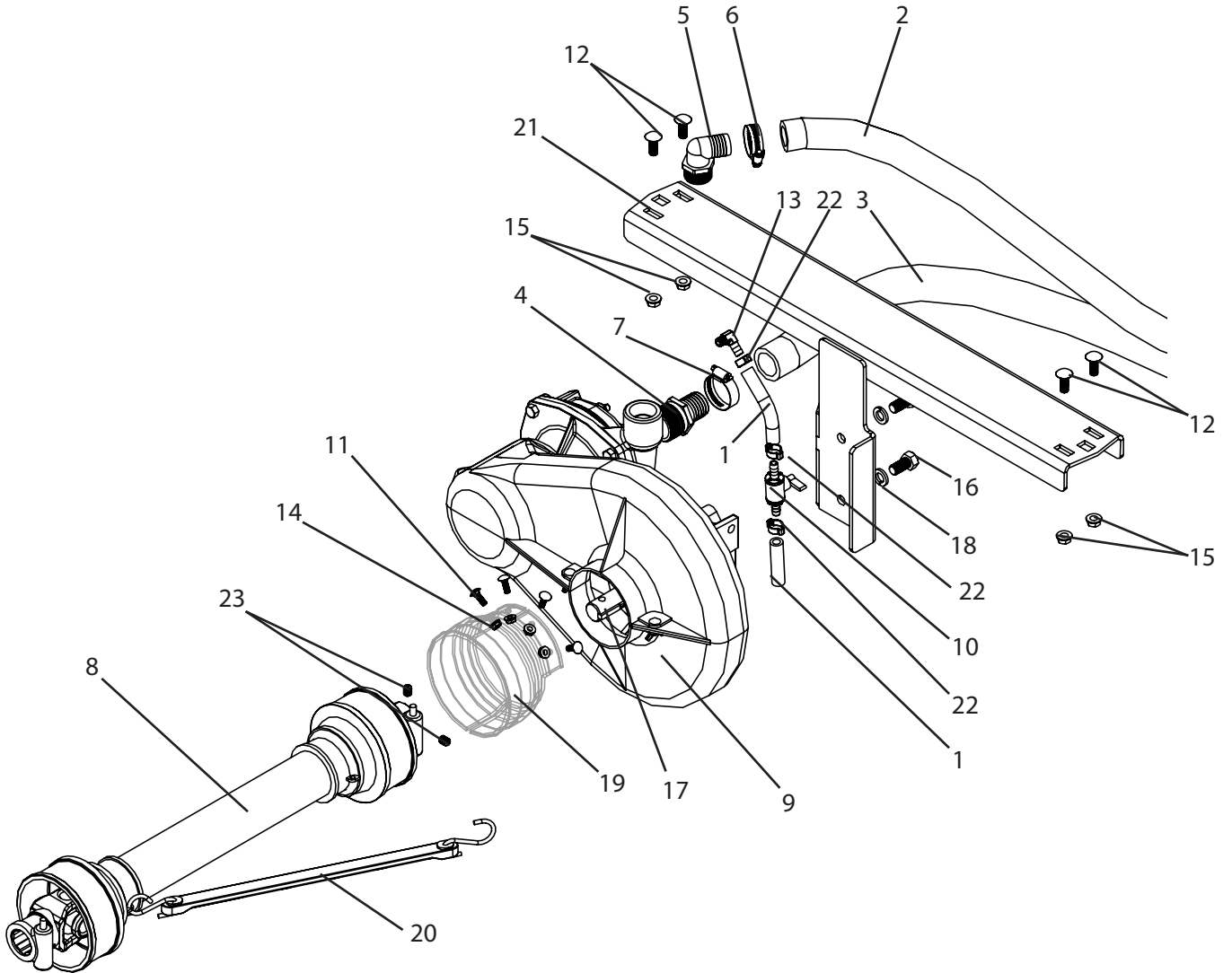
+ Items included in Repair Kit (Part# 2352)





# AGX200-3B (Hypro) Pump Subassembly

NOTE: Shown as equipped with Hypro brand pump (Blue in color).



# AGX200-3B (Hypro) Pump Subassembly

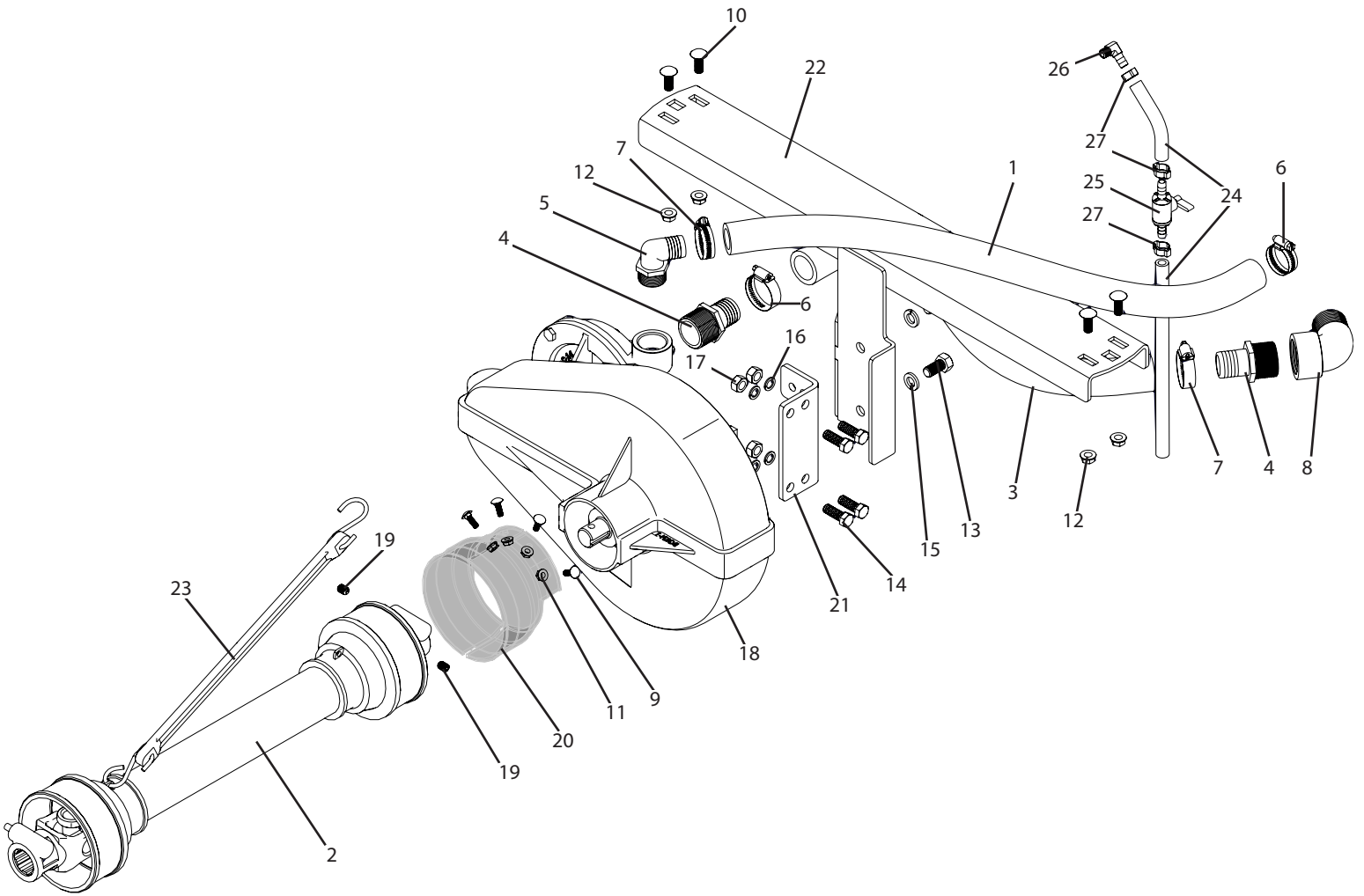
Ref#	Qty.	Part Number	Description
1	1.5 FT	1006 +	Hose, EPDM Rubber 3/8" 300 PSI
2	8 FT	1016	Hose, EPDM Rubber 1" 300 PSI
3	2 FT	3111	Hose, Suction EPDM Blend 1-1/4" 70 PSI
4	1	3A114	Fitting, Hose 1-1/4" MPT x 1-1/4" HB
5	1	3EL100	Adapter, Hose Ell 1" MPT x 1" HB
6	2	6816052	Hose Clamp, 13/16" - 1-1/2" SS
7	2	6820052	Hose Clamp, 13/16" - 1-3/4" SS
8	1	7101051UC007602	Driveline, PTO BP #1 * 1-3/8" 6 Spline x 1" RB
9	1	9402C540S *	Pump, Centrifugal Belt-Driven 1" Shaft 1-1/4" FPT Inlet 1" FPT Outlet
10	1	9432 +	Valve, Ball 3/8" Hose Barbs
11	4	CB14*34	Bolt, Carriage 1/4-20 x 3/4" Gr 2
12	4	CB38*1G5	Bolt, Carriage 3/8-16 x 1" Gr 5
13	1	EL1838BR +	Adapter, Hose Ell 1/8" MPT x 3/8" HB Brass
14	4	FN14	Nut, Flange 1/4-20
15	4	FN38	Nut, Flange 3/8-16
16	2	H5C12*1	Bolt, Hex 1/2-13 x 1" Gr 5
17	1	KEY14	Key, Machine 1/4" x 1-1/4" Sq Ends
18	2	LW12	Washer, Lock 1/2"
19	1	T1103	Flex Coupling, PTO pumps
20	1	TS15	Tarp Strap, 15" Rubber
21	1	T307	Pump Mount, 200-300 3PT, 9402C and FMC pumps
22	3	W1518 +	Clamp, Oetiker 5/8"
23	2	SSC38*12	Screw, Allen Set 3/8-16 x 1/2"
24	1	T1102	Bleeder valve, centrifugal pumps

\*See support page for component breakdown.

+Components are component parts of T1102.

# AGX200-3B (Ace) Pump Subassembly

NOTE: Shown as equipped with Ace brand pump (Green in color).

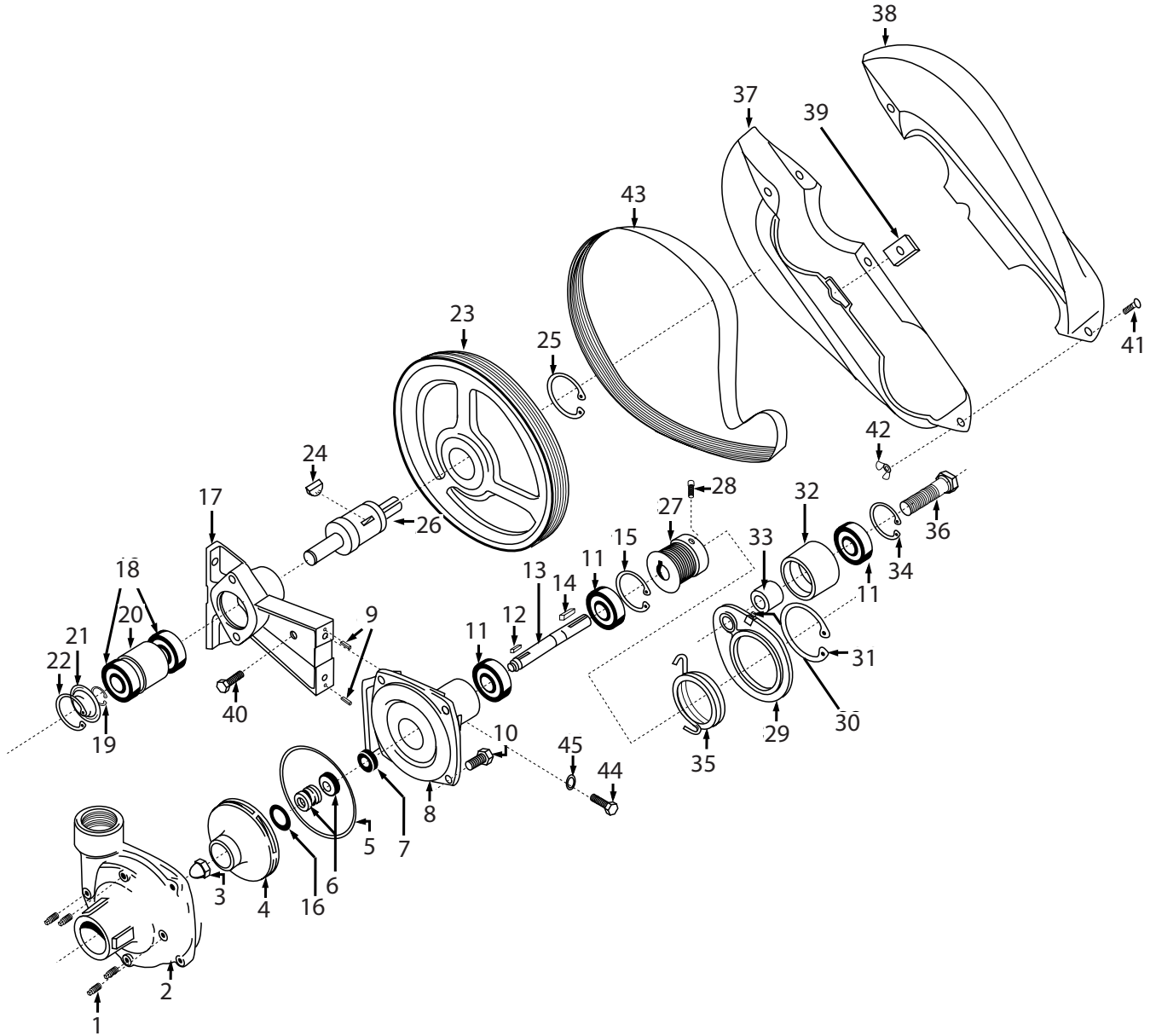


# AGX200-3B (Ace) Pump Subassembly

Ref#	Qty.	Part Number	Description
1	3 FT	1016	Hose, EPDM Rubber 1" 300 PSI
2	1	14006126	PTO Driveline #1, 540 x 1" round bore, 27" collapsed length
3	2	3111	Hose, Suction EPDM Blend 1-1/4" 70 PSI
4	2	3A114	Fitting, Hose 1-1/4" MPT x 1-1/4" HB
5	1	3EL100	Adapter, Hose Ell 1" MPT x 1" HB
6	2	6816052	Hose Clamp, 11/16" - 1-1/2" SS
7	2	6820052	Hose Clamp, 3/4" - 1-3/4" SS
8	1	8SE114	Elbow, Street 90° 1-1/4" NPT Sch 80 Poly
9	4	CB14*34	Bolt, Carriage 1/4-20 x 3/4" Gr 2
10	4	CB38*1G5	Bolt, Carriage 3/8-16 x 1" Gr 5
11	4	FN14	Nut, Flange 1/4-20
12	4	FN38	Nut, Flange 3/8-16
13	2	H5C12*1	Bolt, Hex 1/2-13 x 1" Gr 5
14	4	H5C716*112	Hex bolt, 7/16-14 x 1 1/2", grade 5
15	2	LW12	Washer, Lock 1/2"
16	4	LW716	Washer, Lock 7/16"
17	4	NC716	Nut, Hex 7/16-14
18	1	PTOC-600-B	Ace PTO Belt Drive Centrifugal Pump, 1" Shaft, 1" Outlet w/ 1 1/4" Inlet (540 rpm)
19	2	SSC38*12	Screw, Allen Set 3/8-16 x 1/2"
20	1	T1103	Flex Coupling, PTO pumps
21	1	T1213B	Ace Belt Drive Pump Mounting Adapter
22	1	T307	Pump Mount, 200-300 3PT, 9402C and FMC pumps
23	1	TS15	Tarp Strap, 15" Rubber
24	1.25 FT	1206	Hose, EPDM Rubber 3/8" 200 PSI
25	1	9432	Valve, Ball 3/8" Hose Barbs
26	1	EL1838BR	Adapter, Hose Ell 1/8" MPT x 3/8" HB Brass
27	3	W1518	Clamp, Oetiker 5/8"

\* See support page for component parts breakdowns.

# 9402C540S Pump

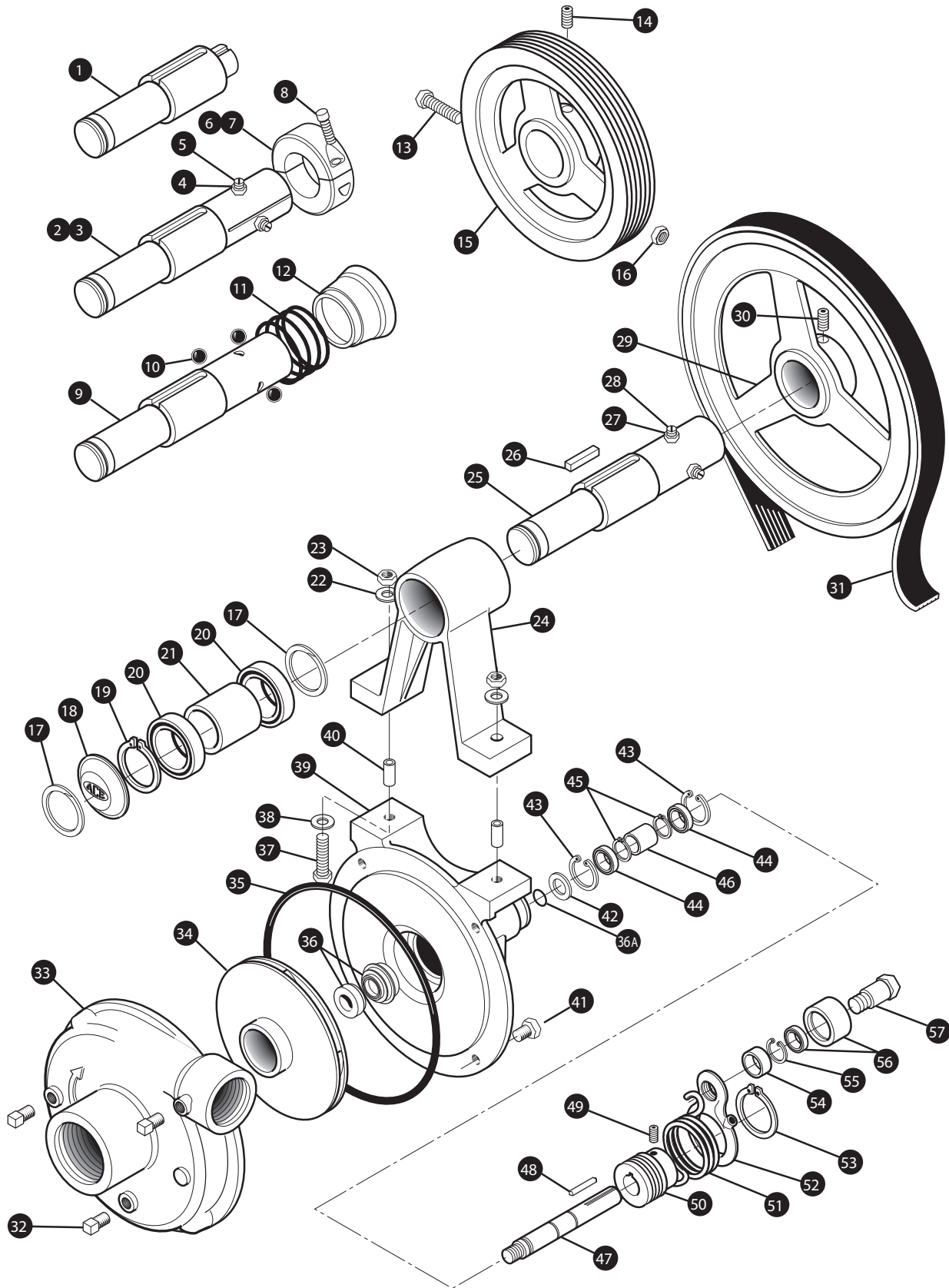


# 9402C540S Pump

Ref#	Qty.	Part Number	Description
1	4	2406-0007	Drain Plug
2	1	0150-9200C	Pump Casing (Model 9402C)
3	1	2253-0002	Impeller Nut
4	1	0401-9100P	Impeller (Nylon) (standard)
5	1	1720-0083 +	O-Ring
6	1	2120-0009 +	Mechanical Seal (standard Viton)
7	1	1410-0056	Slinger Ring
8	1	0750-9200C	Mounting Flange
9	2	1600-0070	Roll Pin
10	4	2210-0020	Bolt
11	3	2000-0010	Ball Bearing
12	1	1610-0015	Key
13	1	0505-9200	Pump Shaft
14	1	1610-0004	Key
15	1	1820-0013	Bearing Retainer
16	1	1700-0100 +	Gasket
17	1	0703-9400D	Pedestal Bracket
18	2	2001-0006	Driver Shaft Bearings
19	1	1810-0012	Driver Shaft Bearing Retainer Ring
20	1	1410-0094	Bearing Spacer
21	1	2840-0053	End Cap (label)
22	1	1820-0032	Bearing Bore Retaining Ring
23	1	3115-0031	Driver Pulley (540 rpm)
24	1	1610-0033	Key (Driver Pulley)
25	1	1810-0031	Retaining Ring (Driver Pulley)
26	1	0503-9400	Shaft (1" solid)
27	1	3115-0034	Driven Pulley (5/8" dia. bore)
28	2	2230-0003	Set Screw for Driven Pulley
29	1	0706-9400C	Idler Bracket (Cast Iron Pumps)
30	1	2405-0003	Grease Zerk Fitting
31	1	1810-0036	Retaining Ring (Idler Bracket,Cast Iron)
32	1	3115-0036	Idler Pulley
33	1	1410-0095	Spacer (Idler Pulley)
34	1	1820-0013	Retaining Ring (Idler Pulley)
35	1	1900-0156	Torsion Spring (Idler for Cast Iron)
36	1	2210-0111	Idler Bolt/Shaft
37	1	2840-0075	Belt Shield
38	1	2840-0076	Belt Shield
39	1	1520-0062	Bracket for Belt Shield
40	1	2210-0021	Attachment Bolt for Shield
41	4	2240-0017	Assembly Bolts for Shield
42	4	2252-0002	Assembly Nuts for Shield
43	1	3100-0006 +	Poly V-Belt (540 rpm)
44	2	2210-0055	Bolts for Pump to Bracket
45	2	2260-0006	Lock Washers for Bracket Bolts

+ Parts included in 3430-0476, Repair Kit (for 540 rpm drives).

# PTOC-600-B Breakdown



# PTOC-600-B Breakdown

REF. #	PART #	EDP #	DESCRIPTION	REQ.
1	BAC-10-S	40190	Shaft, 1" Tumblerod stub	1
2	BAC-10-175-20SP	40180	Shaft, 1-3/4" 20 Tooth PTO spline, includes BAC-11-175	1
3	BAC-10-21SP	40220	Shaft, 1 3/8" 21 Tooth PTO spline, includes BAC-11	1
4	40960	40960	Nut, 3/8" NC, jam	3
5	BAC-40	40940	Set screw, 3/8" NC slotted	3
6	BAC-11-175	40236	Locking collar, split ring (for BAC-10-175-20SP shaft)	1
7	BAC-11	40235	Locking collar, split ring (for BAC-10-21SP shaft)	1
8	BAC-11-1	40237	Set screw (for BAC-11 and BAC-11-175 locking collar)	1
9	BAC-10-6SP-QC	40210	Shaft, 1-3/8" 6 Tooth PTO spline, for quick coupler	1
10	BAC-83-QC	41470	Ball for quick coupler	3
11	BAC-82-QC	41460	Spring for quick coupler	1
12	BAC-81-QC	41450	Ball retainer sleeve for quick coupler	1
13	41250	41250	Cap screw, 5/16" NC x 3-1/4", hex head	1
14	41300	41300	Set screw, 3/8" NC x 5/8", allen head	2
15	BAC-30-10-M	40750	Pulley, 6.375" P.D. x 2" Bore, Poly-V (for PTOC-1000-21SP & -B)	1
15	BAC-30-175	40745	Pulley, 6.375" P.D x 2-3/8" Bore, Poly-V (for PTOC-1000-20SP)	1
16	BAC-63	41260	Nut, 5/16" NC, self locking, for tumblerod drive	1
17	BAC-34	40830	Snap ring, internal, BAC-15 bearing housing	2
18	BAC-27	40520	Name plate	1
19	BAC-35	40840	Snap ring, external, BAC-10 drive shaft	1
20	BAC-31-1	40781	Bearing, sealed, BAC-10 drive shaft	2
21	BAC-38-1	40905	Spacer, bearing, BAC-10 shaft	1
22	BAC-44	40990	Washer, 3/8" locking	2
23	BAC-45	41010	Nut, hex, 3/8" NC	2
24	BAC-15	40340	Housing, PTO drive shaft bearing housing	1
24	BAC-15-B	40370	Housing, tumblerod drive shaft bearing housing with mounting base	1
25	BAC-10-6SP	40200	Shaft, 1-3/8" 6 Tooth PTO spline drive	1
26	BAC-51	41090	Shaft, 3/8" x 1/2" x 1-1/2" key, PTO drive shaft	1
27	40960	40960	Nut, jam, 3/8" NC	3
28	BAC-40	40940	Set screw, 3/8" NC, slotted	3
29	BAC-30-10	40740	Pulley, 10.6" P.D. x 2" bore Poly-V pulley, 10 groove (for PTOC-600)	1
30	41300	41300	Set screw, 3/8" NC x 5/8", allen head	2
31 <sup>①</sup>	BAC-28-10	40610	Belt, Poly-V, 10 groove (for PTOC-600)	1
31 <sup>②</sup>	BAC-28-10-M	40620	Belt, Poly-V, 10 groove (for PTOC-1000)	1
32	BAC-53	41110	Pipe plug, 1/8" NPT	3
32	41120	41120	Pipe plug, 1/8" NPT, stainless steel (optional)	3
33	BAC-12	40250	Volute 1-1/4" x 1", cast iron	1
34	BAC-26-CI	40432	Impeller, cast Iron, left hand thread (optional)	1
34	BAC-26-VALOX	40430	Impeller, Valox, left hand thread	1
35 <sup>①②③④</sup>	BAC-4-A	40005	O-ring, volute seal	1
36 <sup>④</sup>	BAC-7SC	40152	Seal, silicon carbide mechanical (includes 40160) (optional)	1
36 <sup>①②③</sup>	BAC-7V	40151	Seal, Viton, mechanical (includes 40160 O-ring)	1
36A <sup>①②③④</sup>	40160	40160	O-ring for mechanical seal	1
37	BAC-42	40970	Cap screw, 3/8" NC x 2" hex head	2
38	BAC-43	40980	Washer, 3/8" flat	2
39	BAC-14-MIA	40290	Mounting frame, machined for idler arm	1
40	BAC-15-PIN	40799	Alignment pin	2
41	40950	40950	Cap screw, 3/8" NC x 3/4" hex head	4
41	40930	40930	Cap screw, 3/8" NC x 3/4" hex head, stainless steel (optional)	4
42	BAC-54	41130	Slinger	1
43	BAC-33	40810	Snap ring, internal, for mounting frame	2
44	BAC-37	40870	Bearing, sealed, for pump shaft	2
45	BAC-32	40790	Snap ring, external, for driven pump shaft	2
46	BAC-32-S	40795	Spacer for pump shaft	1
47	BAC-6-SS	40070	Shaft, 5/8", left hand course thread, stainless steel	1
48	BAC-50	41080	Key, 3/16" x 3/16" x 1-1/4"	1
49	BAC-57	41180	Cap screw, 5/16" NC x 5/16" allen head, for BAC-29-10 pulley	2
50	BAC-29-10-1.50	40680	Pulley, 1.5" P.D. x 5/8" bore, Poly-V, 10 groove	1
51	BAC-5	40030	Spring, idler mounted torsion	1
52	BAC-13	40270	Idler arm	1

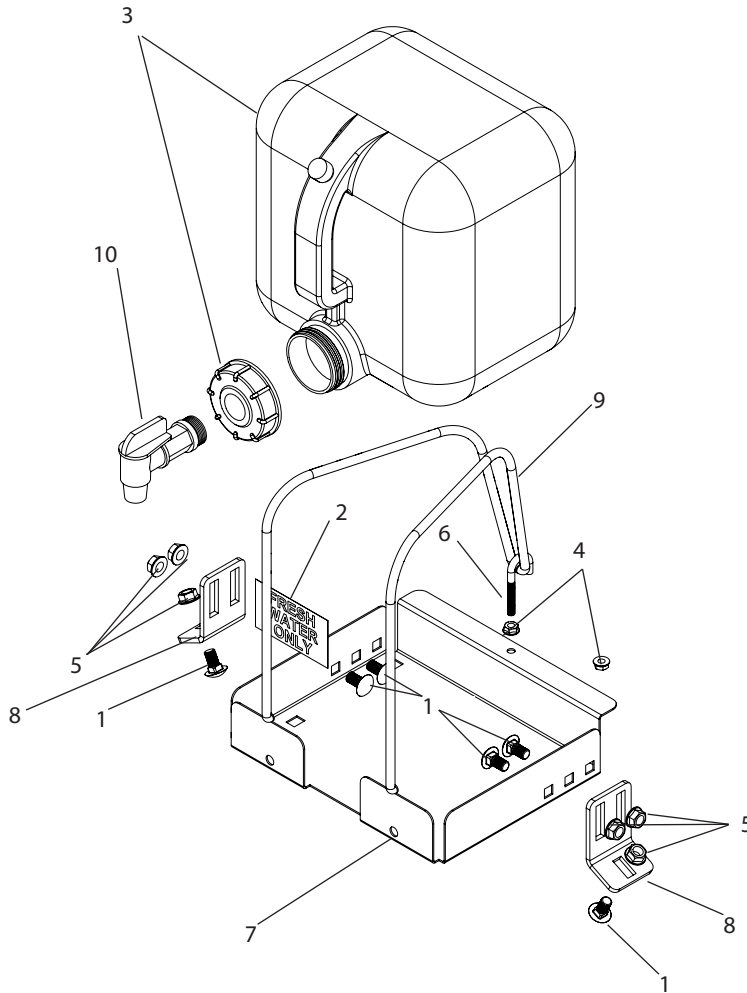
# PTOC-600-B Breakdown

53	BAC-36	40850	Snap ring, external, BAC-13 idler arm	1
54	BAC-46	41020	Spacer, 5/8"	1
55	41070	41070	Retainer ring	1
56	BAC-55	41140	Idler bearing and outer roller assembly	1
57	BAC-47	41040	Cap screw, 5/8" NC x 2 1/8" hex head idler	1
#	BAC-52	41100	Chain, 1/4" cold shut, torque anchor	1
#	BAC-58	41190	Zerk fitting, 1/4" NPT, for idler arm	1
#	BAC-55-A	41150	Idler arm assembly (includes 52 through 57 and BAC-58)	-
#	BGKB	52610	Belt and shaft guard kit for all PTOC pumps	-
①	RK-PTOC-600	51150	Repair kit for 600 RPM models, includes belt, seal, and "O" ring	-
②	RK-PTOC-1000	51250	Repair kit for 1000 RPM, includes belt, seal, and "O" ring	-
③	RK-FMC	52700	Repair kit for pump only, includes seal, and "O" ring	-
④	RK-FMCSC	52706	Repair kit for pump only, includes silicon carbide seal, and "O" ring	-
#	FMC-MIA	47000	Pump end only, machined to accept idler arm	-

# Not shown in exploded view drawing.



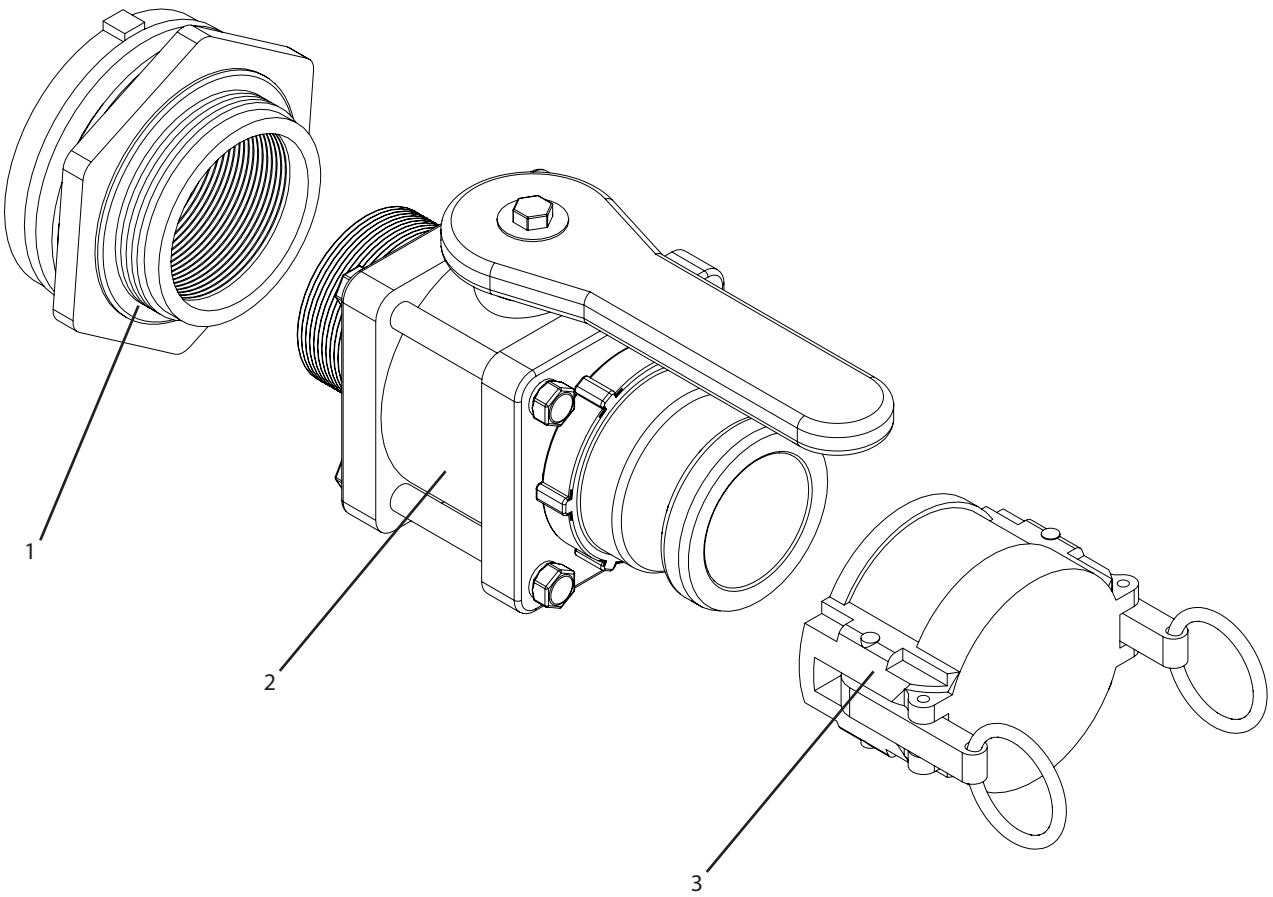
# A116K Fresh Water Safety Tank Accessory



Ref#	Qty.	Part Number	Description
1	6	CB38*34G5	Bolt, Carriage 3/8-16 x 3/4" Gr 5
2	1	DE21	Decal, "Fresh Water Only"
3	1	F2503	Tank, 2.5 Gal White Foamer
4	2	FN14	Nut, Flange 1/4-20
5	6	FN38	Nut, Flange 3/8-16
6	1	N232884	Bolt, J-Bolt 1/4-20 x 2 5/16" Zinc
7	1	T555	Tank pan, black, for 2.5 gal fresh water
8	2	T555A	Brace, black, for 2.5 gallon tank pan
9	1	T555B	Bungee cord, 5/16" x 36" long, fresh water kit
10	1	VDB34	Valve, Drum & Barrel 3/4" MPT PVC White



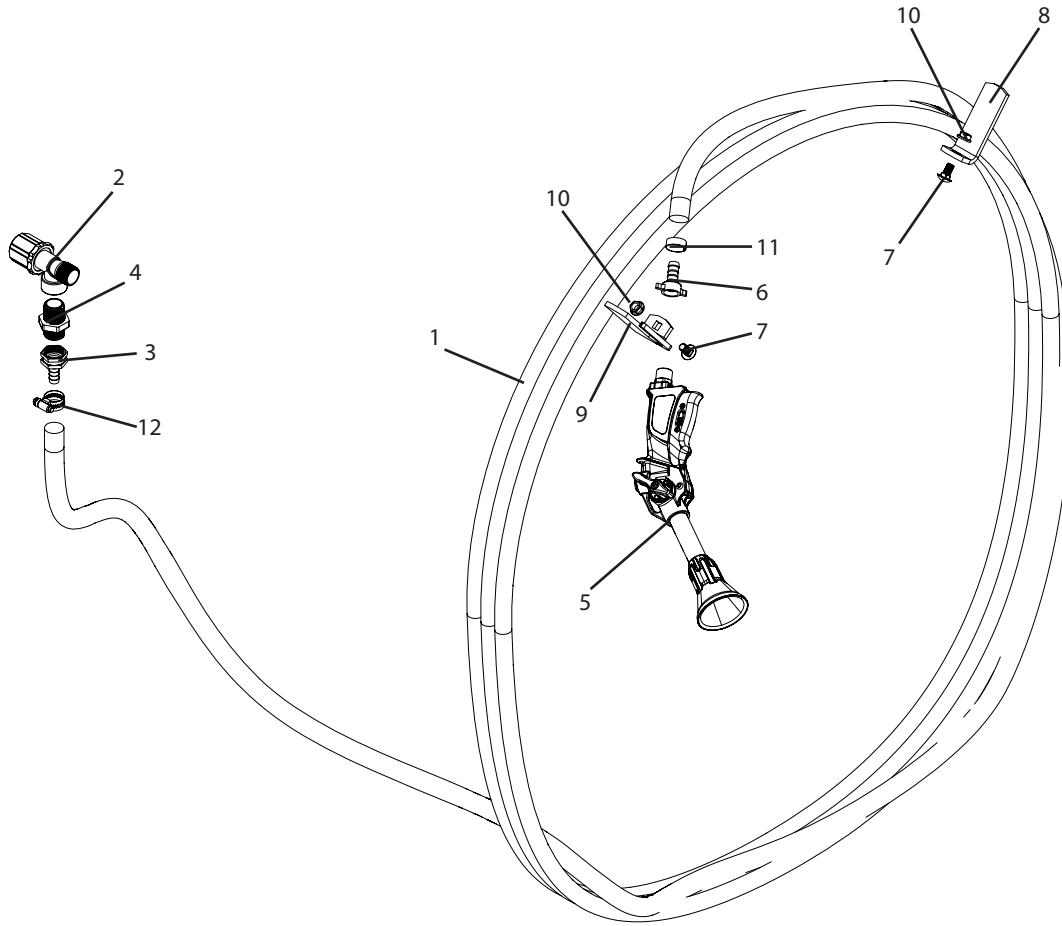
# A125K Quick Fill Accessory



Ref#	Qty.	Part Number	Description
1	1	60405	Fitting, Tank 2" Fitting Dbl Tap (Requires a 3" Hole)
2	1	200CMMC	Valve, Ball Bolted Compact 2" Full Port MPT x Male Coupler
3	1	200DCS	Dust Cap, 2" Male Coupler



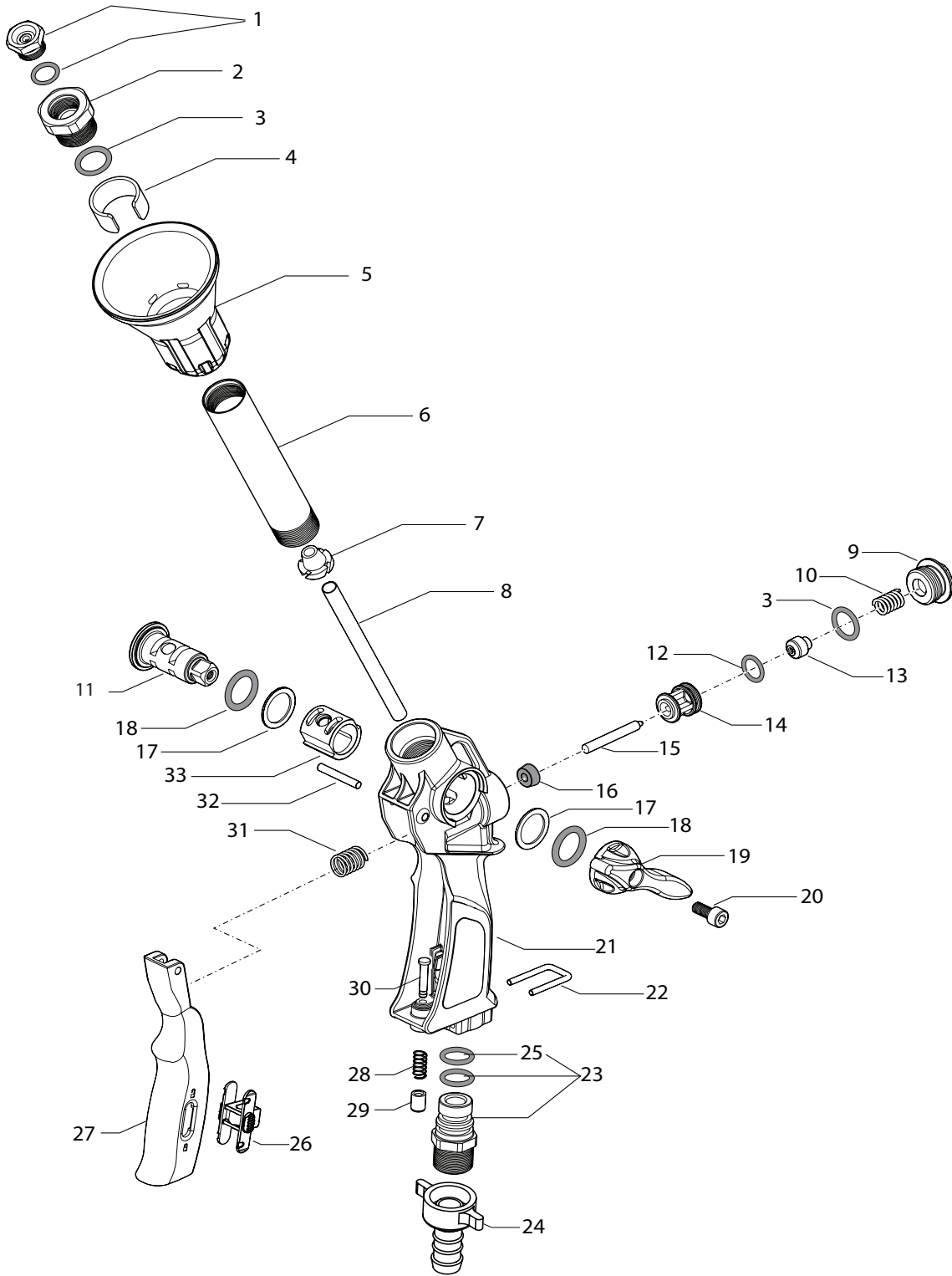
# A126K Pistol Grip Handgun Accessory



Ref#	Qty.	Part Number	Description
1	50 FT	1008	Hose, EPDM Rubber 1/2" 300 PSI
2	1	2352034PP	Valve, Throttling 3/4" NPT Poly 150 PSI
3	1	3412	Swivel, Garden Hose Female 1/2" HB x 3/4" FGHT Brass
4	1	3E3434	Adapter, Garden Hose 3/4" MGHT x 3/4" MPT Poly
5	1	5062410F *	Spray Gun, 700 PSI
6	1	9910110130	Adapter, 1/2" HB x 1/2" BSP Wing Nut Assy
7	2	CB38*34G5	Bolt, Carriage 3/8-16 x 3/4" Gr 5
8	1	CC5521	Hose mount
9	1	CC5523	Hose mount w/ gun pin, black
10	2	FN38	Nut, Flange 3/8-16
11	1	J243	Clamp, Band 3/8" x 1" SS
12	1	6806052	Hose Clamp, 1/2" - 29/32" SS

\*See support page for component breakdown.

# 5062410F Spray Handgun

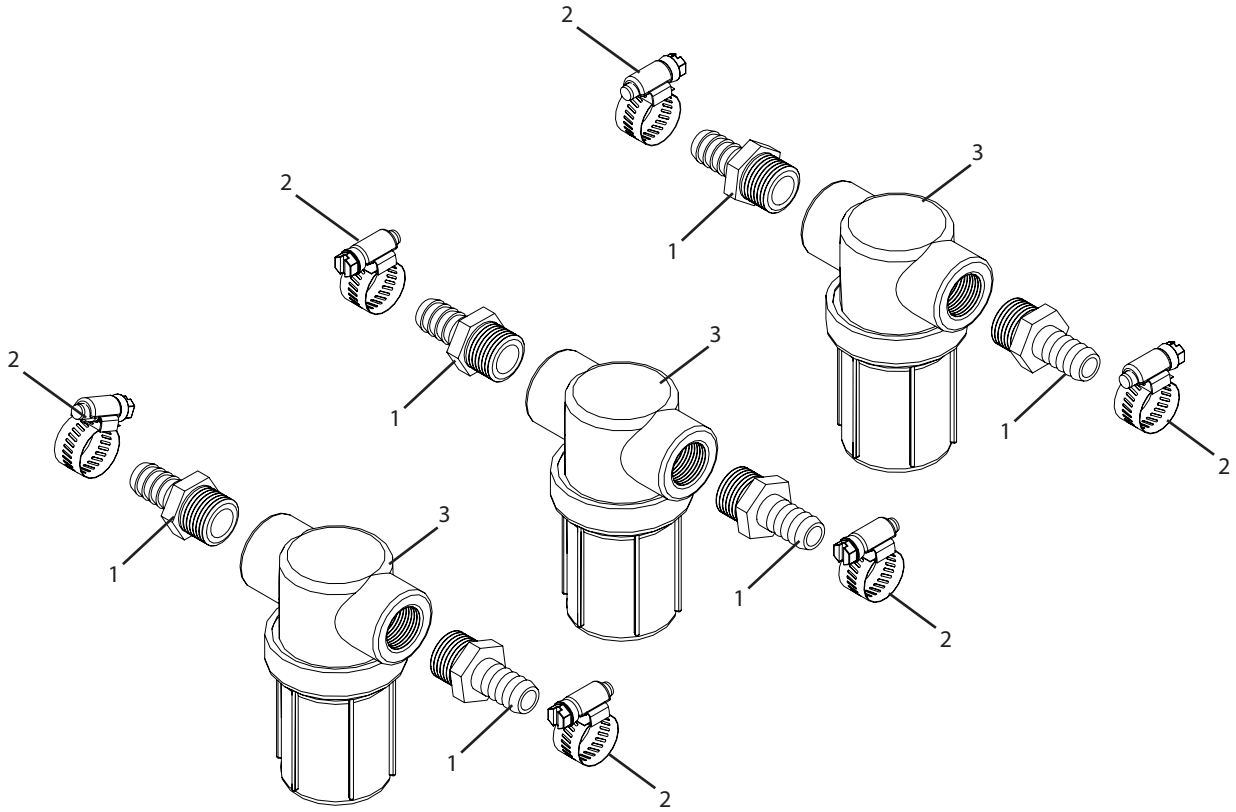


# 5062410F Spray Handgun

Ref #	Qty.	Part Number	Description
1	1	3420000	Ceramic Cone Nozzle 2.0
1	1	4422000	Ceramic Cone Nozzle 2.3
1	1	3430000	Ceramic Cone Nozzle 3.0
2	1	--	Nozzle Holder
3	2	--	O-Ring
4	1	--	Clip
5	1	--	Nozzle Protector
6	1	--	Barrel
7	1	--	Inner Conveyor
8	1	--	Inner hose
9	1	--	Plug
10	1	--	Spring
11	1	--	Regulation Drum
12	1	--	O-Ring
13	1	--	Cone Plugger
14	1	--	Box and seat
15	1	--	Hinge for Conical Shutter
16	1	--	Seal
17	2	--	Teflon Washer
18	2	--	O-Ring
19	1	5062400030	Drum Lever
20	1	V1C24F	Screw TCEI 6 x 14
21	1	--	Body / Grip
22	1	10011	Fork
23	1	5062400101	Brass Coupler
24	1	9910110130	Hose Barb Assembly, 1/2"
25	2	--	O-Ring
26	1	--	Slide Lock
27	1	5062410020	Trigger
28	1	--	Spring
29	1	--	Decanting Gun Pusher
30	1	--	Pivot for Trigger Block
31	1	--	Spring
32	1	--	Trigger Pin
33	1	--	Cover for Regulation Drum
--	1	50624005	Gun Repair Kit (5062410F)



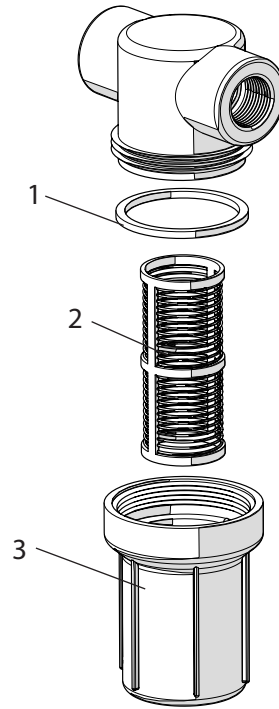
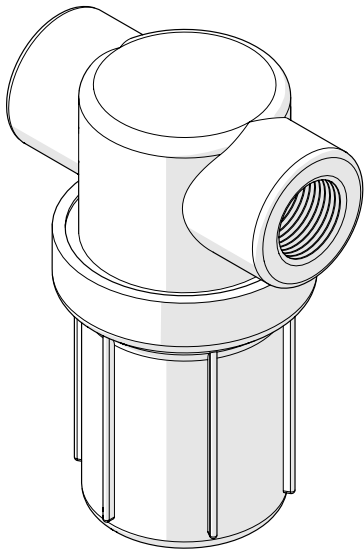
# A127K Boom Inline Filters Accessory



Ref#	Qty.	Part Number	Description
1	6	3A1212	Adapter, Hose 1/2" MPT x 1/2" HB
2	6	6806052	Hose Clamp, 1/2" - 29/32" SS
3	3	AA12212PP50 *	Strainer, Line 1/2" FPT 50 mesh screen

\*See support page for component breakdown.

# AA12212PP50 Line Strainer

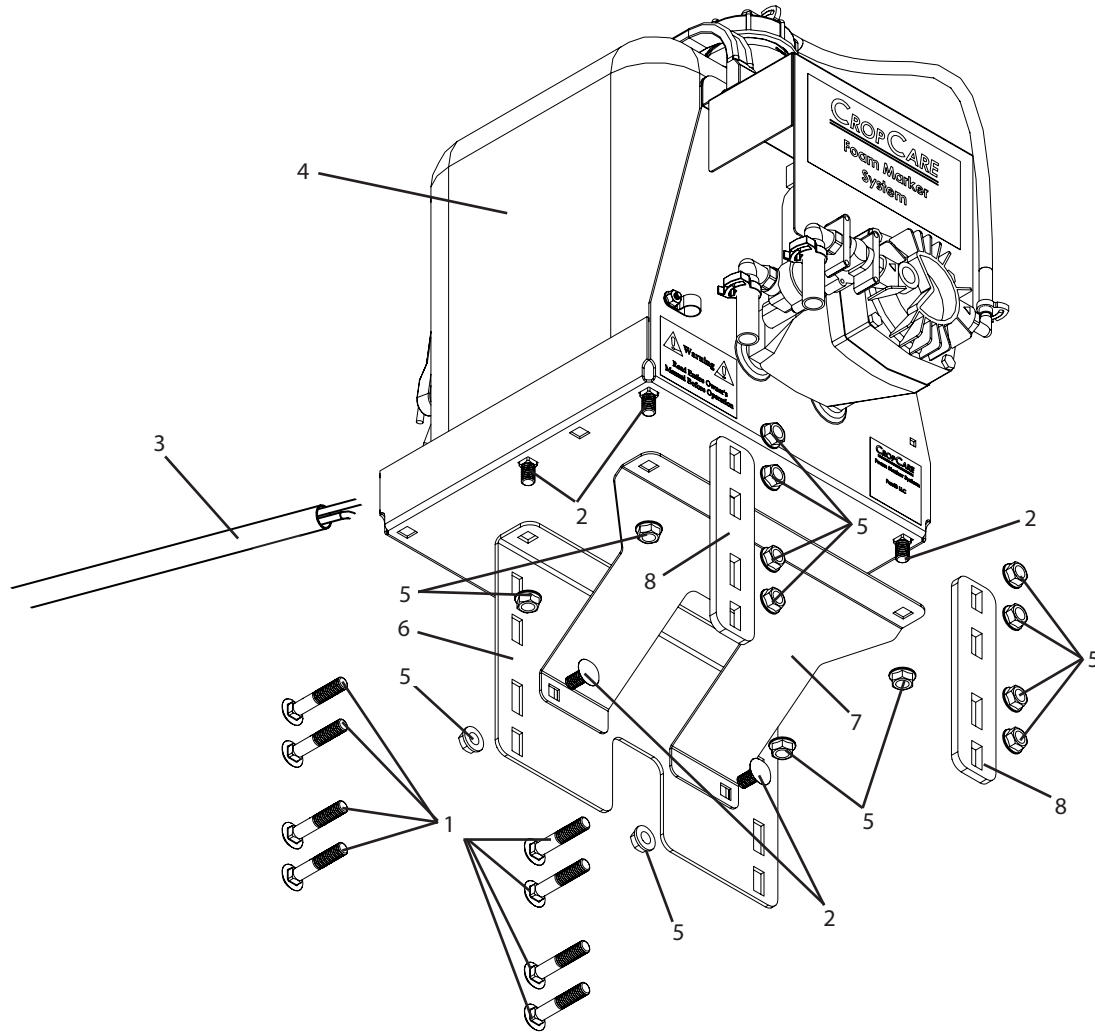


Ref#	Qty.	Part Number	Description
1	1	CP23173-EPR	Strainer gasket, AA122
2	1	CP451023SSPP	Screen-122 filter 50M
3	1	CP23172PP	Bowl-122 Filter





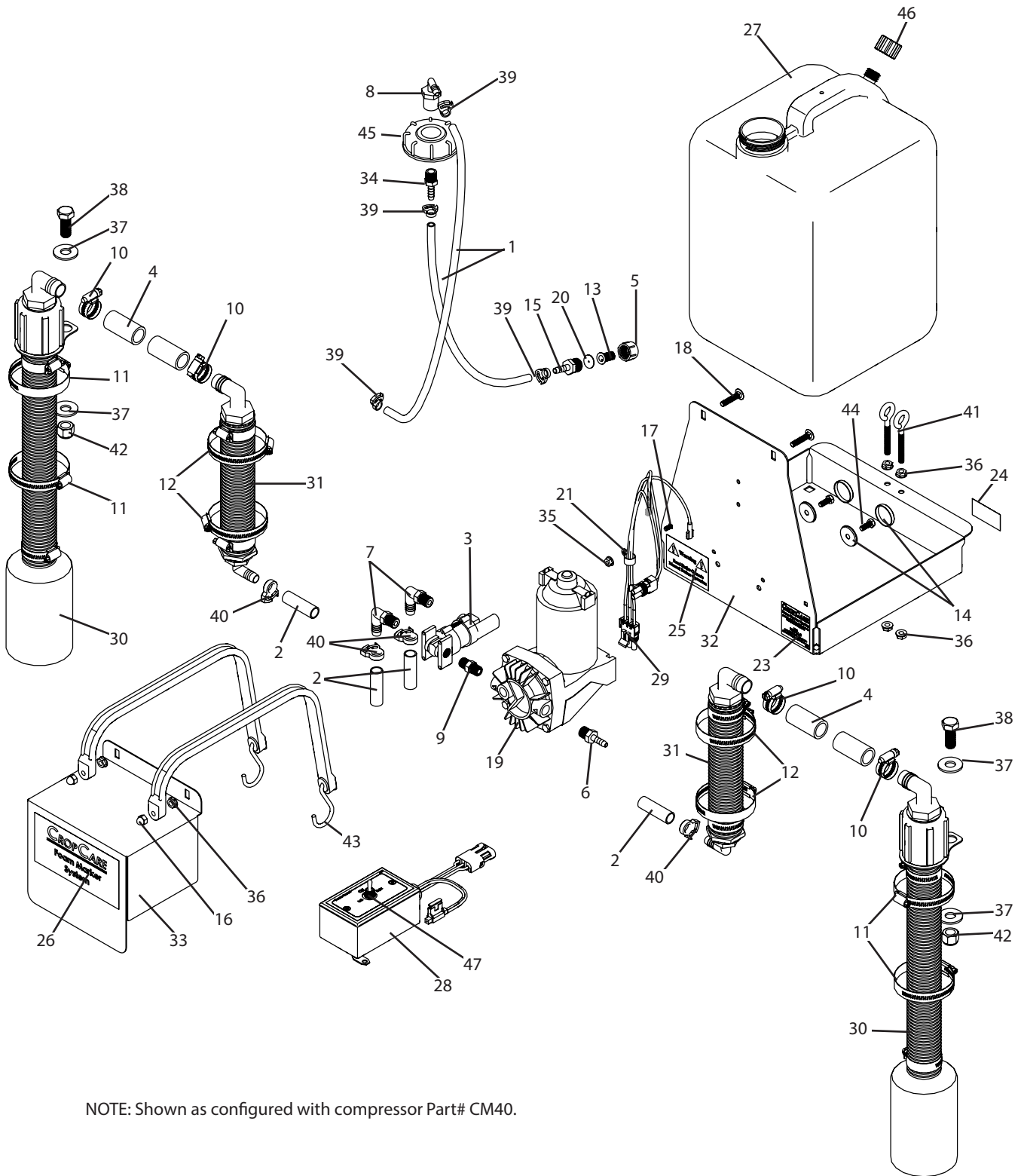
# F1500-3PT-BK Foam Marker Accessory



Ref#	Qty.	Part Number	Description
1	8	CB38*2G5	Bolt, Carriage 3/8-16 x 2" Gr 5
2	6	CB38*34G5	Bolt, Carriage 3/8-16 x 3/4" Gr 5
3	15 FT	DC784	Loom, Flex-Gard 3/8"
4	1	F1500A *	Foam Marker, System 5 Gal CropCare
5	14	FN38	Nut, Flange 3/8-16
6	1	T554	Bracket, black, to mount foamer on boom
7	1	T554A	Brace, black, to mount foamer on boom
8	2	T554B	Clip, black, to mount foamer on boom

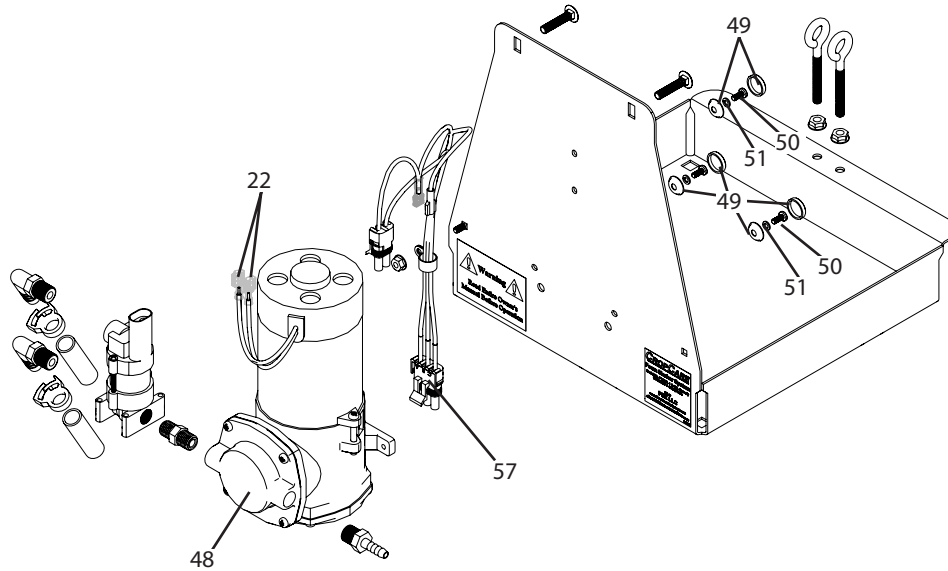
\*See support page for component breakdown.

# F1500 Foam Marker System

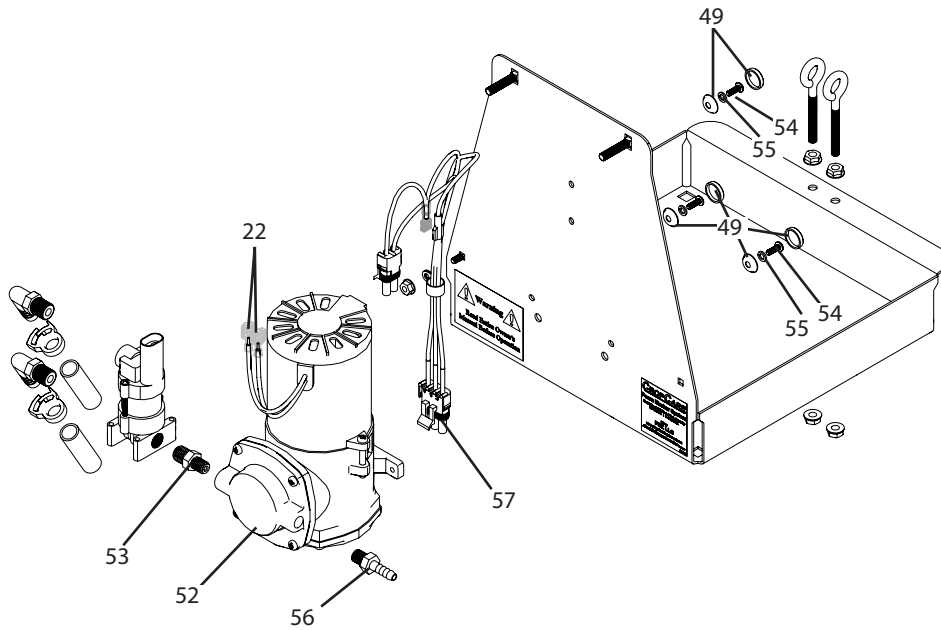


NOTE: Shown as configured with compressor Part# CM40.

# F1500 Foam Marker System



NOTE: Shown as configured with compressor Part# GZ35-12.



NOTE: Shown as configured with compressor Part# 107CDC20.

# F1500 Foam Marker System

Ref #	Qty.	Part Number	Description
1	34"	1954	Tubing, Vinyl 1/4" ID x 3/8" OD 55 PSI
2	1	1971-33L	Tubing, Vinyl 33 FT Roll 1/2" ID x 5/8" OD 30 PSI
3	1	2204AWP	Solenoid, 3-Way 1/4" FPT 0.5 GPM 40 PSI 12V
4	1	3003-50L	Hose, Suction 3/4" 50 FT Roll Clear PVC 100 PSI
5	1	38027	Cap, Nozzle Tip/barb 11/16-16 UNF Poly
6	1	3A1414	Adapter, Hose 1/4" MPT x 1/4" HB
7	2	3EL1412	Elbow, Hose 90° 1/4" MPT x 1/2" HB
8	1	3EL14F	Elbow, Hose 90° 1/4" FPT x 1/4" HB
9	1	6468	Nipple, Brass w/ Hex 1/4" MPT
10	4	6810052	Hose Clamp, 1/2" - 1-1/16" SS
11	4	6828	Hose Clamp, 1-1/4" - 2 1/4" SS
12	4	6864052	Hose Clamp, 2-1/2" - 4-1/2" SS
13	1	8079PP100	Strainer, Tip 100 Mesh Green Poly Body SS Screen
14	2	91620A970	Cap, Snap Screw Head 1/4" Screw
15	1	A3814BR	Adapter, Hose 3/8" MPT x 1/4" HB Brass
16	2	AN14	Nut, Acorn 1/4-20
17	1	CB1024*12	Bolt, Carriage 10-24 x 1/2" Gr 2
18	2	CB14*114	Bolt, Carriage 1/4-20 x 1-1/4" Gr 2
19	1	CM40	Air Compressor, 1.27 CFM 40 PSI 12V 8A
20	1	CP491645	Orifice Plate, SS 0.088-0.306
21	1	DC2406	Clamp, Loom 3/8" Nylon
22	2	DC834005	Terminal, 16-14 Gauge Male (Fully Insulated)
23	1	DE221	Decal, F1500A Specs
24	1	DE222	Decal, 5 Gal. Foam Marker Model and Revision
25	1	DE39	Decal, "Warning Read Owner's Manual
26	1	DE51	Decal, Foamer Cover
27	1	F1503	Tank, 5 gal White Foamer
28	1	F1507	Harness, Foamer Power End
29	1	F1509A	Wiring harness compressor end (CM40 compressor)
30	2	F1525	Drop Tube, Foamer, 3/4" Hose Barb
31	2	F1529	Foam Marker, Mixing Chamber
32	1	F1532	F1500A, Main Frame
33	1	F1533	F1500A, Compressor Cover
34	1	F2506	Adapter w/ breather hole, A1414BR
35	1	FN1024	Nut, Flange 10-24
36	6	FN14	Nut, Flange 1/4-20
37	4	FW12S	Washer, Flat, 1/2" SS
38	2	H12*114S	Bolt, Hex 1/2-13 x 1 1/4 SS
39	4	HC041	Clamp, Snap Grip 0.36" - 0.41" Size BB
40	4	HC067	Clamp, Snap Grip 0.59" - 0.67" Size F
41	2	N221119	Bolt, Eye Closed 1/4-20 x 3" Zinc
42	2	NNC12S	Nut, Lock Nylon 1/2-13 SS
43	2	TS15	Tarp Strap, 15" Rubber
44	2	H6X16M	Metric bolt, 6 x 16mm 1.0 pitch
45	1	F1505	Foamer Tank Lid

\* Component part breakdowns are available.

\*\* Lid part number without hole drilled.

\*\*\* Part is included in item 28.

+ Use part# F1534 with GZ35-12 and 107CDC20 compressors.

# F1500 Foam Marker System

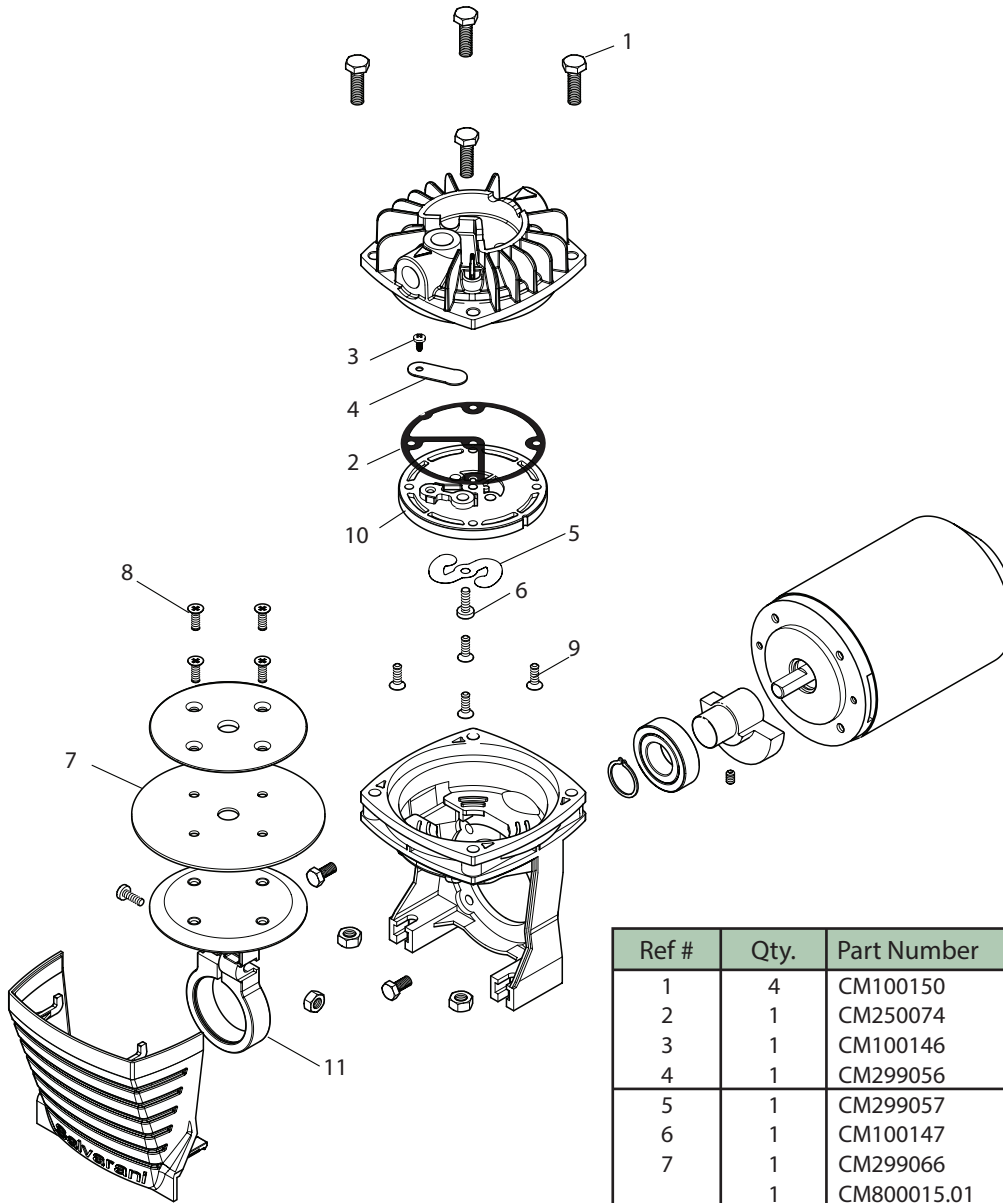
Ref #	Qty.	Part Number	Description
46	1	6010-000-070 **	Breather cap (Lid) has a drilled out hole in center of lid
47	1	DC7300131 ***	Toggle switch, on-off-on
48	1	GZ35-12 *	Compressor, Diaphragm, 12V, 1/4 FPT ports
49	3	SC10S	Cap, Snap Screw Head #10 Screw
50	3	MR4X10M	Machine Screw, Phillips, Pan Head, 4M x 10M 7P Zinc
51	3	LW4M	Lock Washer, 4mm
52	1	107CDC20	Compressor, Diaphragm, 12V, 1/8 FPT ports
53	1	3325X0402	Brass Nipple w/ Hex 1/4" x 1/8"
54	3	MR832*12	Screw, Machine 8-32 x 1/2" Zinc
55	3	LW10	Washer, Lock #10
56	1	3A1814	Adapter, Hose 1/8" MPT x 1/4" HB, Poly
57	1	F1534	Wiring harness compressor end (GZ35-12 compressor)

\* Component part breakdowns are available.

\*\* Lid part number without hole drilled.

\*\*\* Part is included in item 28.

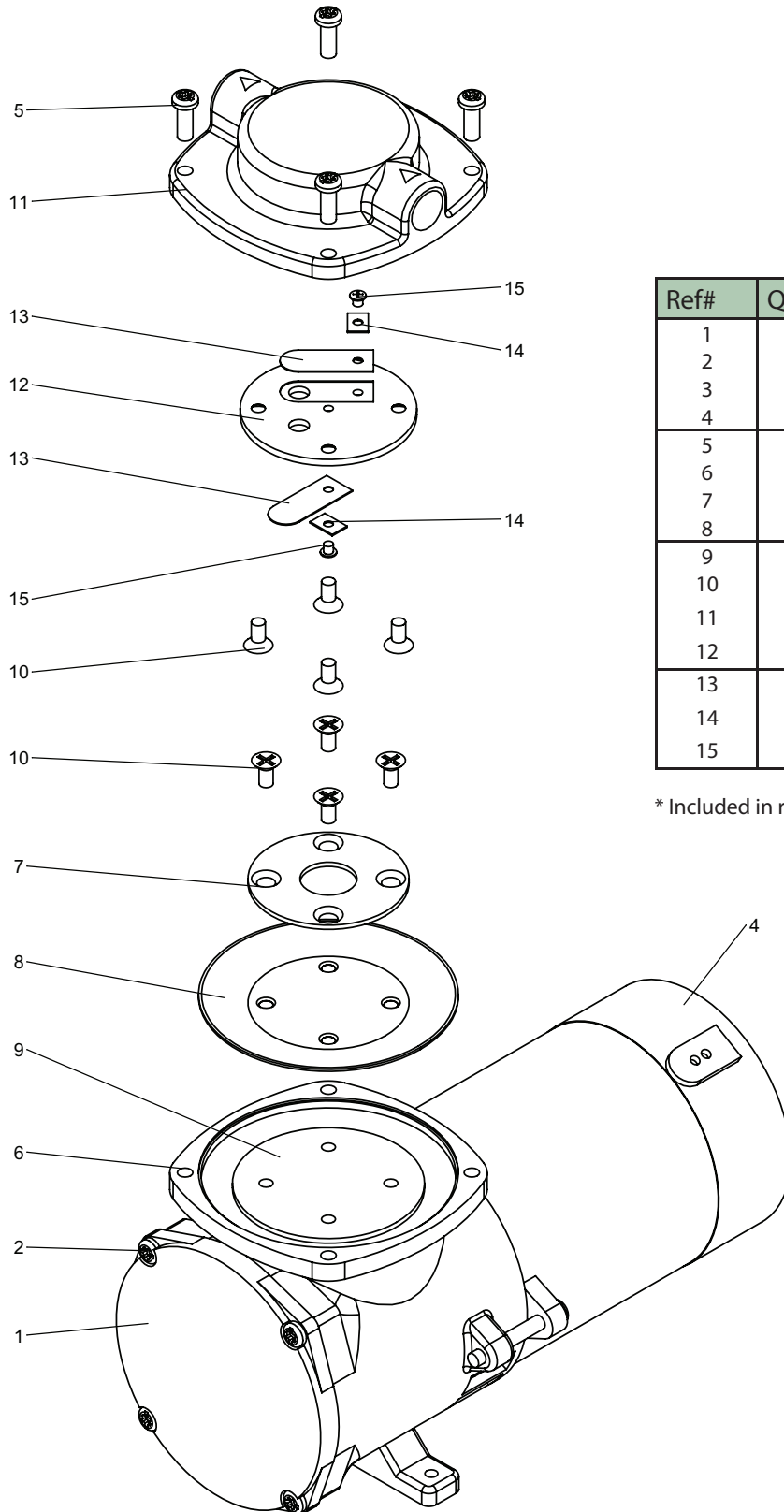
# CM40 Compressor



Ref #	Qty.	Part Number	Description
1	4	CM100150	Screw
2	1	CM250074	Head gasket
3	1	CM100146	* Screw
4	1	CM299056	* Leaf valve
5	1	CM299057	* Leaf valve
6	1	CM100147	* Screw
7	1	CM299066	* Rubber diaphragm
	1	CM800015.01	Diaphragm kit (Includes ref #'s 3-7)
8	4	CM100149	Screw
9	4	CM100148	Screw
10	1	CM299061	Valve plate
11	1	CM299067	Connecting rod

\* Included in a complete kit

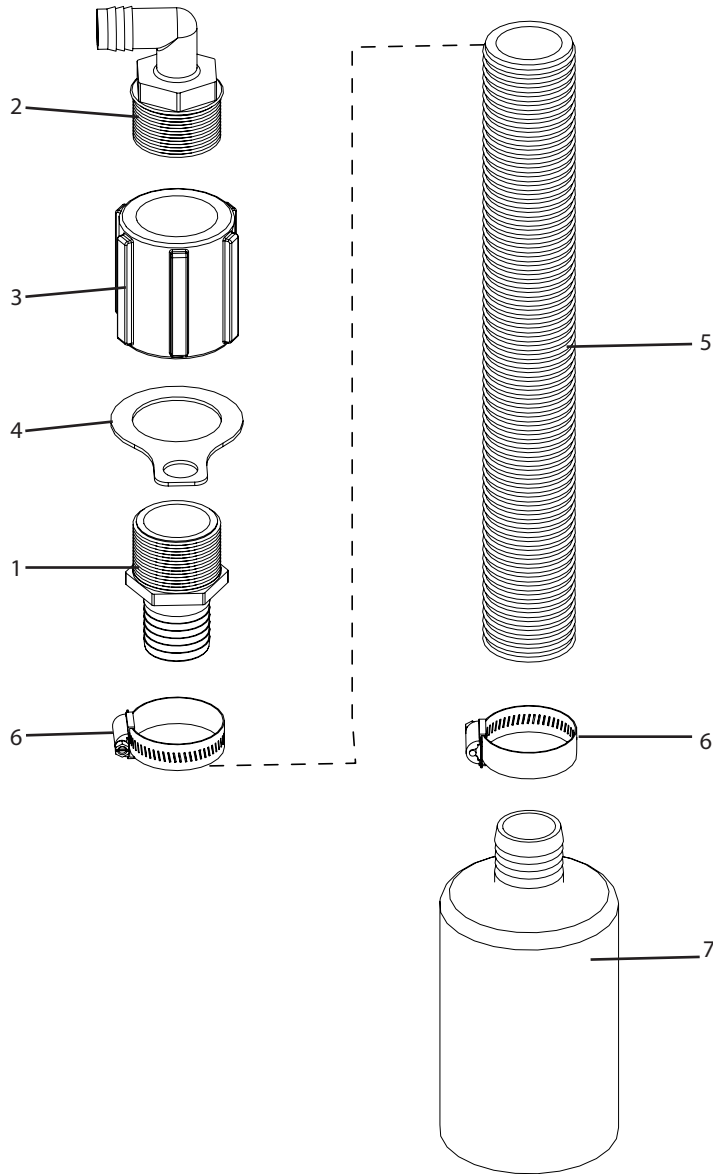
# GZ35-12 Compressor



Ref#	Qty.	Part Number
1	1	Housing End Cap
2	4	Housing End Screws
3	2	Motor Housing Screws
4	1	Motor
5	4	Head Screws
6	1	Housing
7	1	Diaphragm Plate
8	1	Diaphragm *
9	1	Piston
10	8	Head Screws
11	1	Head
12	1	Valve Plate
13	2	Leaf Valve *
14	2	Leaf Valve Washer
15	2	Leaf Screws

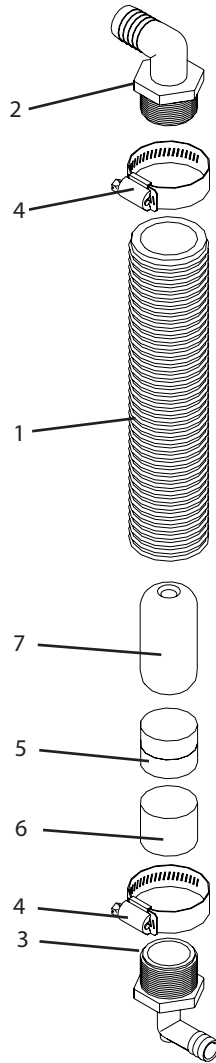
\* Included in repair kit (GZ35-15-RK)

# F510A Foam Discharge Tube



Ref#	Qty.	Part Number	Description
1	1	3A114	Fitting, Hose 1-1/4" MPT x 1-1/4" HB
2	1	3EL11434	Adapter, Hose 90° 1-1/4" MPT x 3/4" HB
3	1	8FC114	Coupler, 1-1/4" schedule 80 poly
4	1	F1531	Foam Marker Drop Tube Mount
5	13"	3511	Hose, EPDM Enforcer 1-1/4" 100 PSI (Black)
6	2	6824052	Hose Clamp, 1" - 2" SS
7	1	F1526	Foamer Drop Tube, Boot

# F1529 Foam Mixing Chamber



Ref#	Qty.	Part Number	Description
1	8"	3511	Hose, EPDM Enforcer 1-1/4" 100 PSI (Black)
2	1	3EL10034	Adapter, Hose 90° 1" MPT x 3/4" HB
3	1	3EL10012	Adapter, Hose Ell 1" MPT x 1/2" HB
4	2	6824052	Hose Clamp, 1" - 2" SS
5	2	F1529A	Mixing Chamber, Open Cell Pad (Black)
6	1	F1529B	Mixing Chamber, Closed Cell Pad (White)
7	1	F506	Sponge, Mixing Chamber

# ***CROPCARE***

by PBZ<sup>®</sup>

Manufactured by PBZ LLC  
A Paul B Zimmerman Inc. Company  
[www.CropCareEquipment.com](http://www.CropCareEquipment.com)